

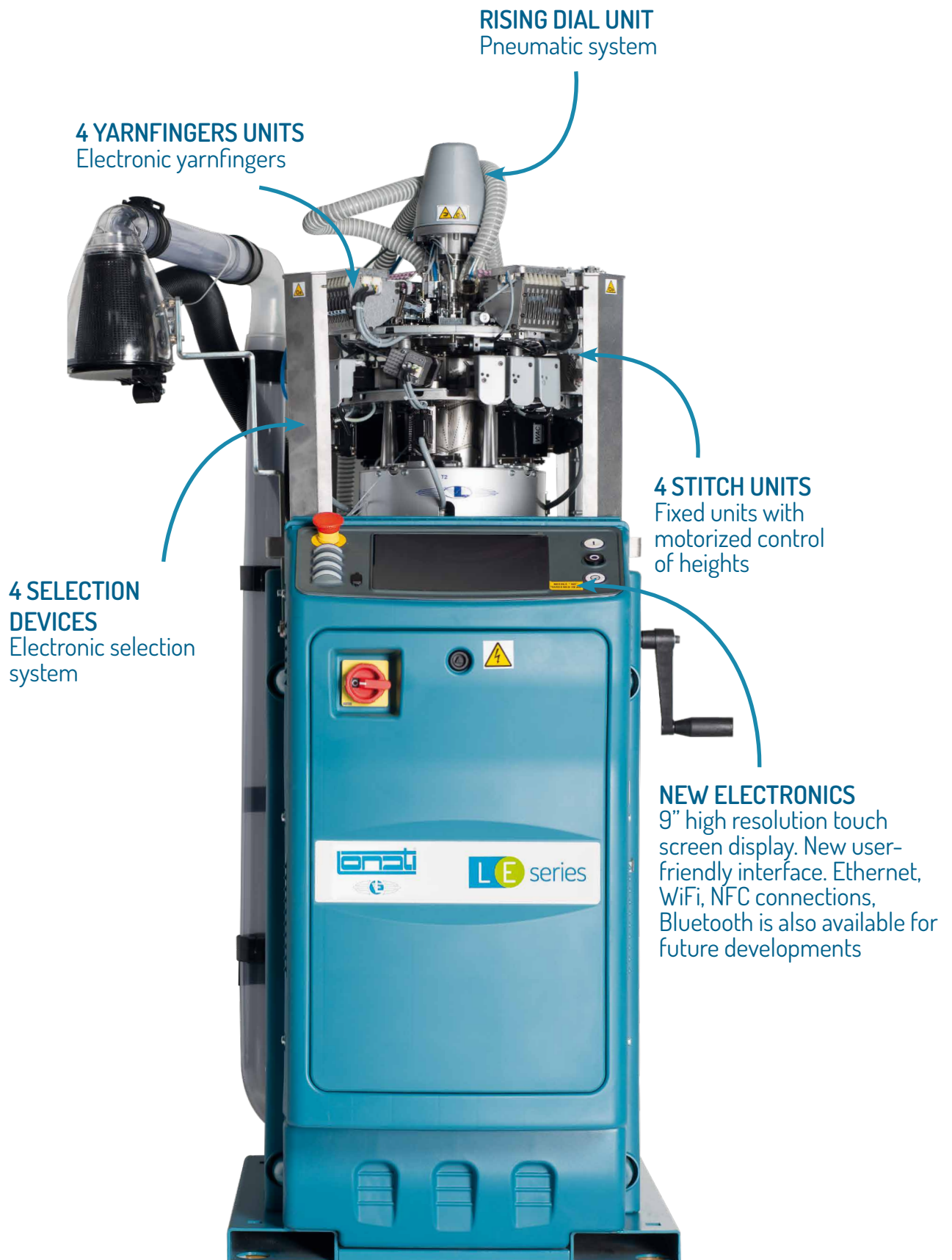
L **E** series

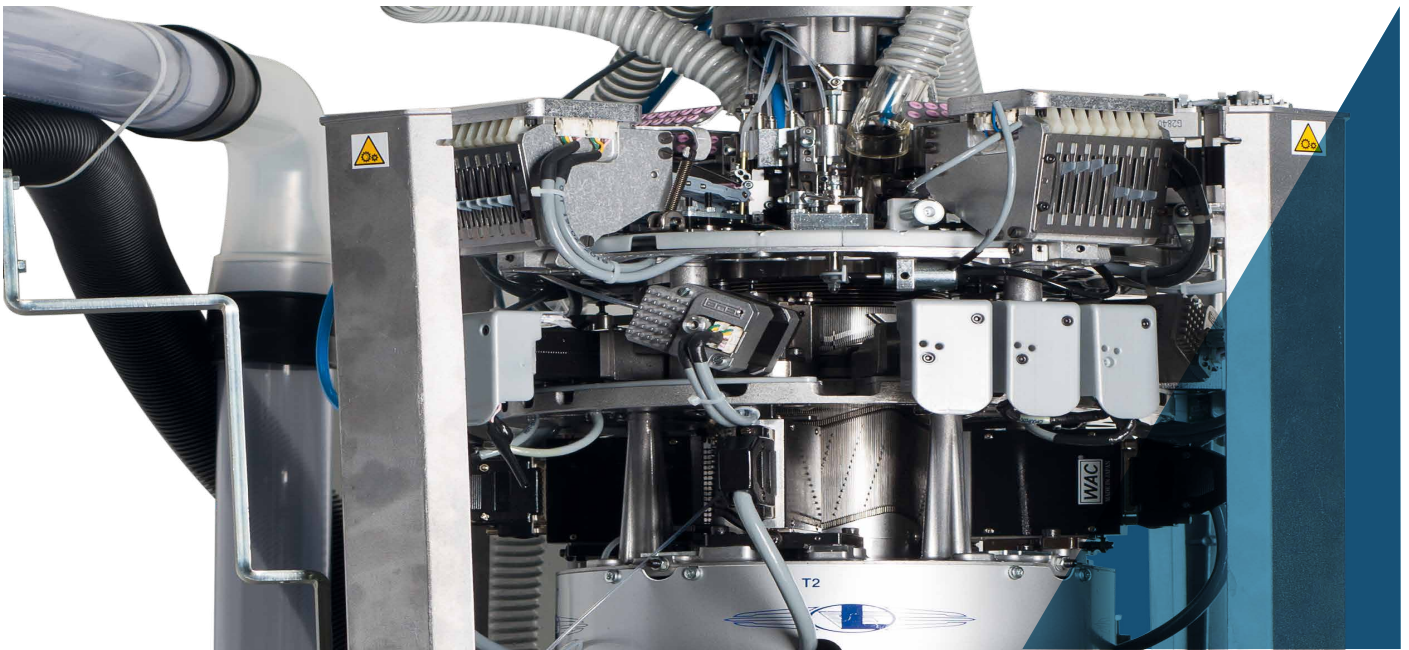
WOMEN'S SINGLE CYLINDER
LBE12Y7



WOMEN'S SINGLE CYLINDER

LBE12Y7





All images in this brochure are indicative and not binding.

WOMEN'S SINGLE CYLINDER LBE12Y7

Single cylinder 4 feeds machine with electrical controls for the production of stockings and pantyhose in plain knit, 1x1,3x1,7x1 mesh, diagonals, micromesh and T-Band on 4 feeds, plating covered lycra, plating on 4 feeds. Size marks. Electronic selection on feed 1-2-3-4. motorized needle raising cam. Electronic yarnfingers control. Single or double dial jacks. Electronic device to maintain the size at any temperature of the machine.

- 4 feeds single cylinder machine
- 6 pliers suction unit
- Electronically controlled yarnfingers. 21 to 28 yarnfingers
- Motorized sinkers cap, 1 motor
- electronic control of stitch cams and rising needle cams heights
- 4 electronic units for mesh selection on feed 1-2-3-4

MACHINE DIMENSIONS



Length 60 cm + yarn creel 130 cm
Depth 60 cm + yarn creel 130 cm
Height 136 cm + yarn creel 250 cm

MACHINE WEIGHT



Machine 225 kg
Yarn creel 28 kg

CERTIFICATION



Green
Label

WOMEN'S SINGLE CYLINDER

LBE12Y7

TECHNICAL DATA

MODEL	CYLINDER DIAMETER	GAUGE	NEEDLE THICKNESS
LBE12Y7 (Needle latch 7 mm)	4"	32	0.34 mm

Above data are indicative and not binding.

STANDARD DEVICES

- 40 or 26 reels yarn creel;
- Sock ejection hood;
- Yarn waste filter;
- Stepper motor controlled suction valve;
- Rotary or fixed antitwist device;
- 2 yarn sliding sensors;

OPTIONAL DEVICES

- DREAM or DREAM ONE device for stretching socks in ejection
- 1,1 Kw suction fan
- Nautilus software licence
- Dinema GRYF yarn feeder, 12 max
- Dinema Plus medical or bare elastomer yarn feeders, 4 max
- Yarn sensors, 24 max
- Motorized sinkers cap, 2 motors

SUITABLE YARNS

The machine is designed to be used with the following yarns:

- Nylon
- Elastomers (bare, single or double cover)
- Filanca
- Stretch, for transparent items

POSSIBLE KNITTINGS

The standard machine can perform the following knittings

- Plain knit
- 1:1, 3:1, 5:1, 7:1, 1:3 fixed mesh, micromech and diagonal 3:1, 5:1, - 7:1 mesh
- 1:1 on reinforced band
- Reinforced band
- Supp-hose on 2 or 4 feeds
- Plating plain knit on 2 or 4 feeds

WOMEN'S SINGLE CYLINDER

LBE12Y7

PERFORMANCES

	4" CYLINDER DIAMETER
GAUGE	32
KNITTING FEATURES SPEED	900 rpm working plain knit, no working selectors, stitch cams at 40°
	600 rpm working plain knit, no working selectors, stitch cams at 55°
	800 rpm with working selectors in one or more feeds
	800 rpm working fixed mesh selections with cylinder (divisible by 16)
	650 rpm working fixed mesh selections, with cylinder (non-divisible by 16)
MAXIMUM SPEED	580 rpm working micromesh, left or right diagonal in 3x1, 5x1, 7x1 900 RPM

Above data are indicative and not binding.

DISCLAIMER:

Speed may need to be adjusted according to the inclination of the stitch cams, to the mechanical parts in use and to the yarn.
N.B. All data in the brochure are for information only and subject to change without any prior notice from Lonati SpA.

ALLOWED PERFORMANCES

	AVAILABLE CYLINDERS
GG80-0,26	440 - 480
GG75-0,34	320 - 336 - 340 - 342 - 352 - 360 - 368 - 380 - 382 - 384 - 400 402 - 432 - 434
GG70-0,41	280 - 288 - 300 - 320 - 336 - 360
GG54-0,50	176 - 208 - 240 - 256 - 288 - 320

Above data are indicative and not binding.

DISCLAIMER:

All data related to maximum allowed mechanical speed may require to be reduced (to be adjusted according to functional tests on the machine) when using specific particular yarns and/or knitting features.

WOMEN'S SINGLE CYLINDER

LBE12Y7

NOISE LEVEL

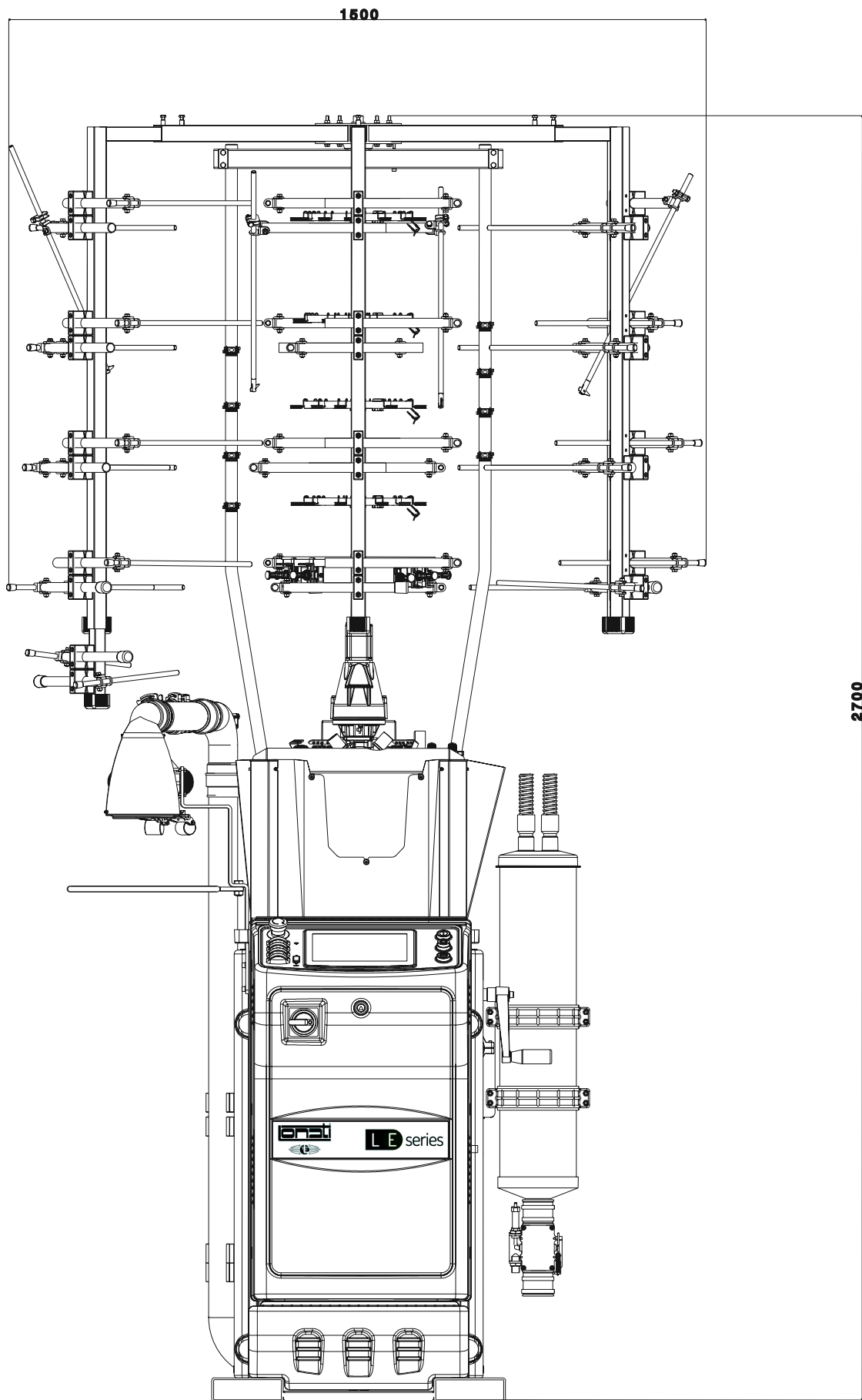
Machine average noise level, suction included LeqA = 74dBA

LUBRICANTS

Average consumption for 500/600 dozens: 1000 gr. - Lonati recommends: Fuchs Renolin Trax 14C - Kluber Tex Sintheso M32 - Esso Eil 0287

GREASE

For seals, bearings etc. Lonati recommends: Damping grease Nyogel 774F

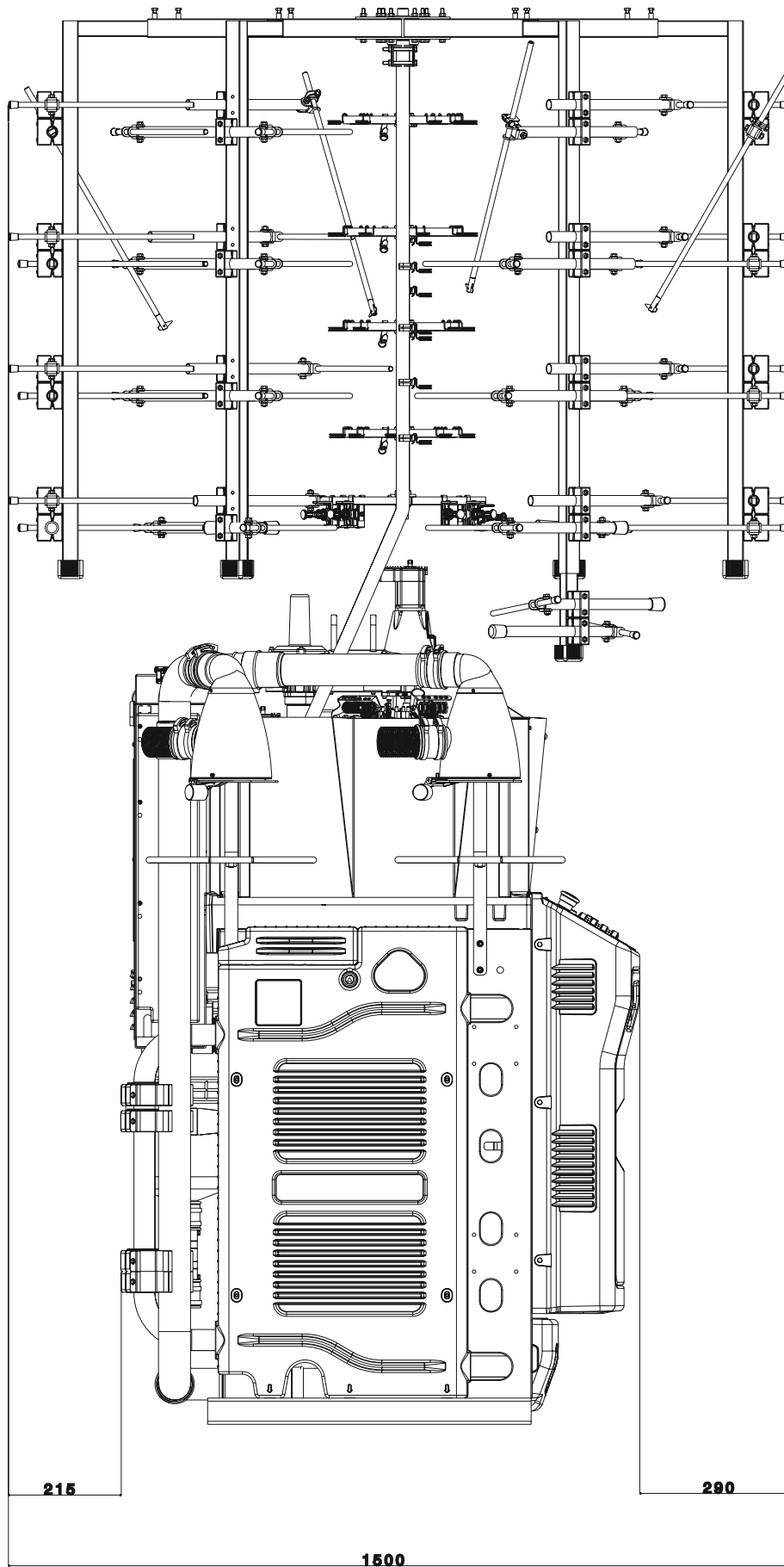


FRONT VIEW

Machine dimensions with 40 reels yarn creel

NOTE:

The picture may show fittings and equipment that are supplied on demand and not.



SIDE VIEW

Machine dimensions with 40 reels yarn creel

NOTE:

The picture may show fittings and equipment that are supplied on demand and not.





LONATI SPA
Via Francesco Lonati, 3 | 25124 Brescia (Italy)
Tel. +39 03023901 | Fax +39 030 2310024
C.F.: 01469680175 | P.iva: 02096730961
info@lonati.com - www.lonati.com