

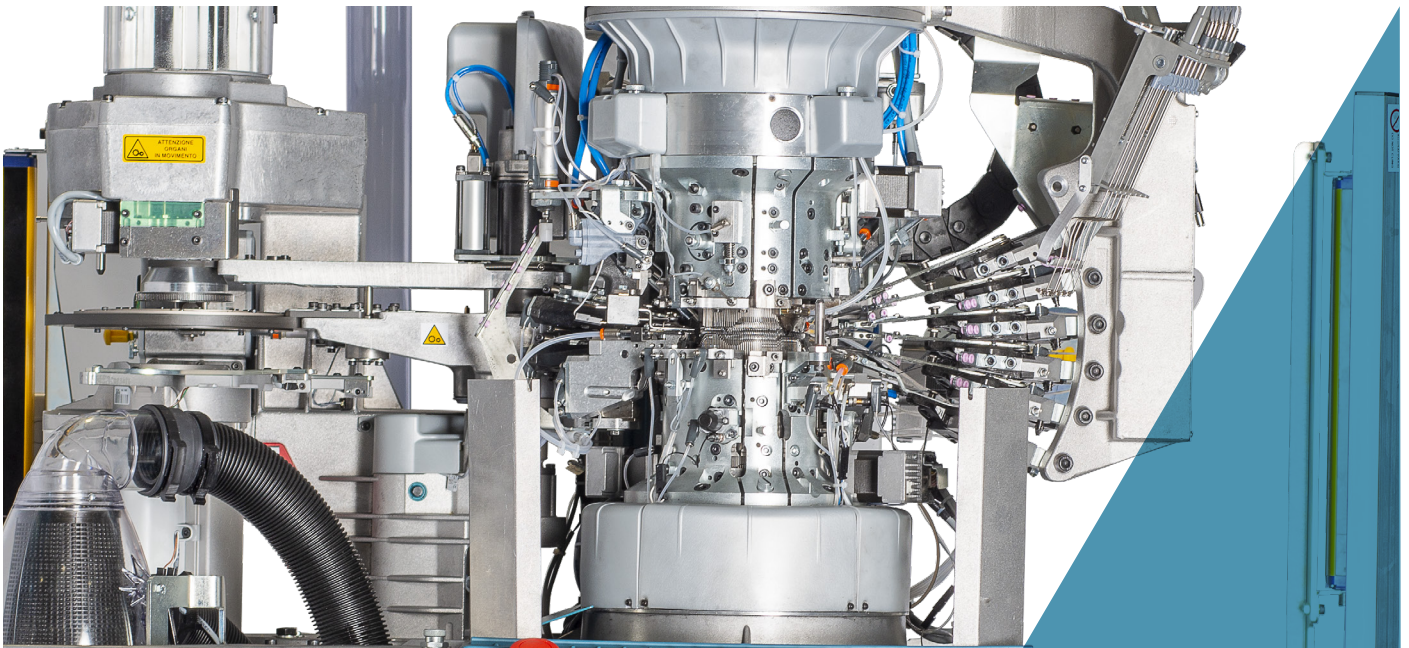
D E series
DOUBLE CYLINDER
E1E13H



DOUBLE CYLINDER

E1E13H





All images in this brochure are indicative and not binding.

DOUBLE CYLINDER E1E13H

Double cylinder 2 feeds machine with total electronic control for the production of children's socks in ribs, plain knit, links Jacquard selected open work and needle-needle real linking closed toe. Needle-needle selection by mono-magnetic actuator for several types of ribs, links, links Jacquard patterns, shadow rib and selected open work. Incorporated brushless motor in the column for variable heel and toe reciprocating motion with 2 points of selection by mono-magnetic actuators instead of pickers and needle droppers. Spiral mechanical takedown. Machine available in 3" diameter and gauges that go from 9 to 22 for the production of sizes that go from 2 to 8 years of age depending on the used gauge. New electronics with a powerful microprocessor for total electronic control of all functions and diagnostics. Possibility of connection to NAUTILUS for production data detection and for real-time monitoring of the knitting room.

- Needle-needle mono-magnetic actuators selection, instead of pickers, needle droppers and selection drums for different rib and patterns
- Toe linking performed by SbyS linking machine
- Easier sinkers maintenance thanks to the rotating knitting head in standby position
- Stitch cams with independent stepper motors
- Spiral mechanical takedown
- Simplified cam box

MACHINE DIMENSIONS



Length 119 cm + yarn creel 10.5 cm
Depth 109 cm + yarn creel 69 cm
Height 240 cm + yarn creel 20 cm

MACHINE WEIGHT



Machine ca. 460 Kg
Yarn creel ca. 30 Kg

NOTE:

All data relating to outer appearance, performance, dimensions and weight are just as an indication.

DOUBLE CYLINDER

E1E13H

TECHNICAL DATA

MODEL	CYLINDER DIAMETER	GAUGE	NEEDLE THICKNESS
E1E13H	3"	from 9 to 22	0,5 - 0,6 - 0,7 mm

Above data are indicative and not binding.

STANDARD DEVICES

- Single-magnet actuator electronic selection system
- Mechanical take-down
- Multi-stiffening by means of stepper motors
- High heel
- Sinker cap with internal lubrication
- 6 pneumatic yarnfingers on first feed and 2 on second feed
- Suction valve controlled with stepper motor
- USB port
- Yarn-rack
- SbyS sewing device

MAIN OPTIONAL DEVICES

- LGL ECO POWER feeders
- Dinema ISPY yarn-sliding sensors
- Cassefils mechanical sensors
- Anti-pulling sensors
- Shadow rib
- Suction fan

SUITABLE YARNS

The machine is designed to be used with the following yarns:

- Natural fibers
- Syntetic yarn
- Elastic yarn

POSSIBLE KNITTING

The standard machine can perform the following knittings

- Plain knit
- Rib
- Links
- Links Jacquard
- 1st feed tuck stitch
- Open work
- Shadow rib

DOUBLE CYLINDER

E1E13H

NUMBER OF COLORS

Number of colors	1 color on the same course Up to 5 colors on first feed Up to 2 colors on second feed
------------------	---

PERFORMANCES

	3" CYLINDER DIAMETER
GAUGE	14 needle thickness 0.70mm
KNITTING FEATURES	LINKS = 280 Rpm
	Rib and plain knit = 300 Rpm
	Tuck stitch = 220 Rpm
	Jacquard = 220 Rpm
	Open work = 250 Rpm
	Shadow rib = 220 Rpm
	Reciprocated motion = 300 Rpm

Above data are indicative and not binding.

GAUGE

Model	ø	GAUGE											
		9	10	11	12	13	14	15	16	17	18	20	22
E1E13	3"	84 88	92 96	100 104 108	112 116	120 124	128 132 136	140 144	148 152	156 160 164	168 172	188 192	200 204

Above data are indicative and not binding.

DISCLAIMER:

For gauges lower or higher than those in the chart, their maximum speed must be reduced by 10-15%.
Should you use staple fiber, maximum speed has to be detected each time according to the yarn and the item to be produced.

DOUBLE CYLINDER

E1E13H

NOISE LEVEL

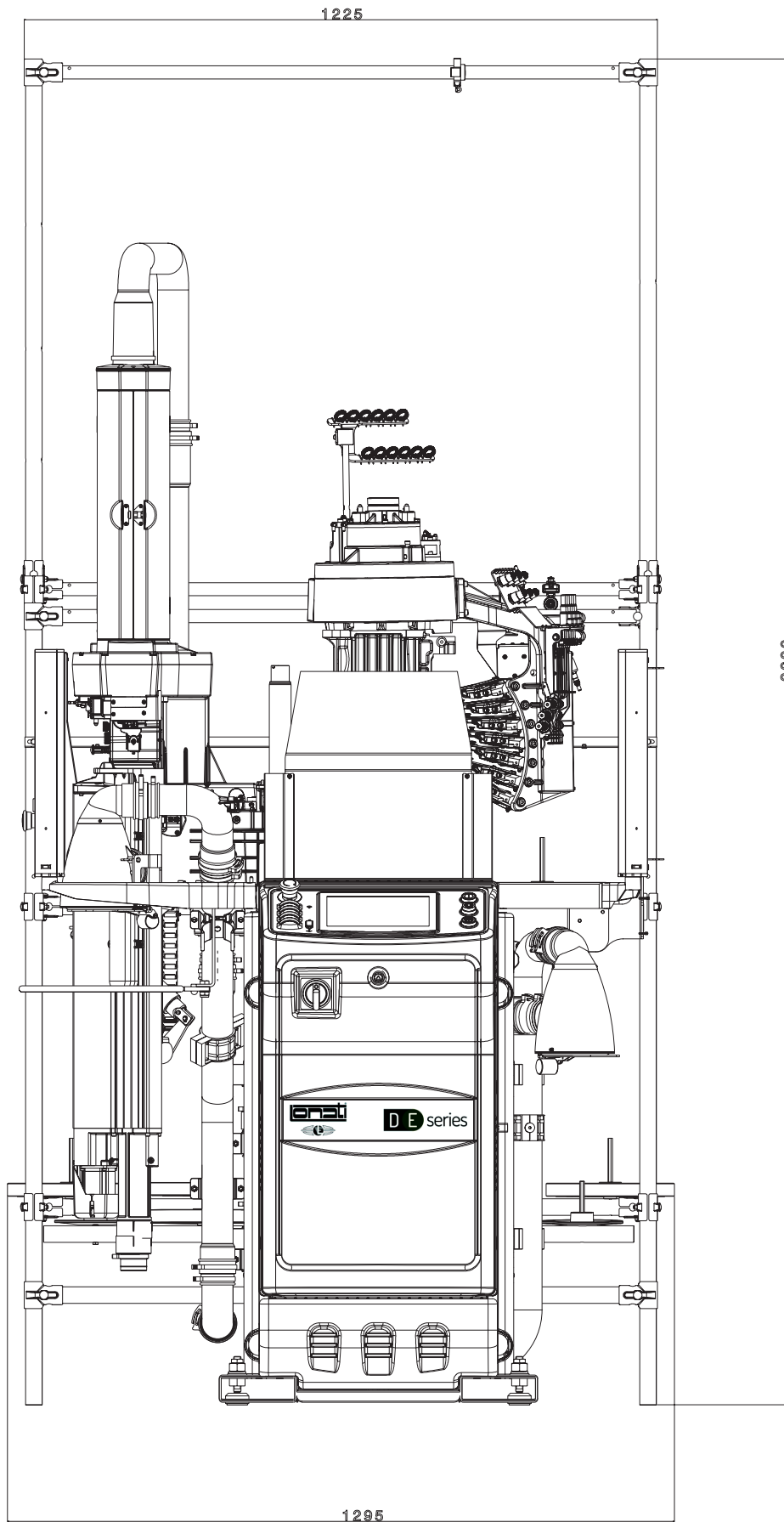
Machine average noise level, suction included n.d.

LUBRICANTS

Average consumption for 100 dozens= 330 gr. Lonati recommends: Kluber Madol 183 Supreme

GREASE

For seals, bearing etc Lonati recommends: Damping grease Nyogel 774F

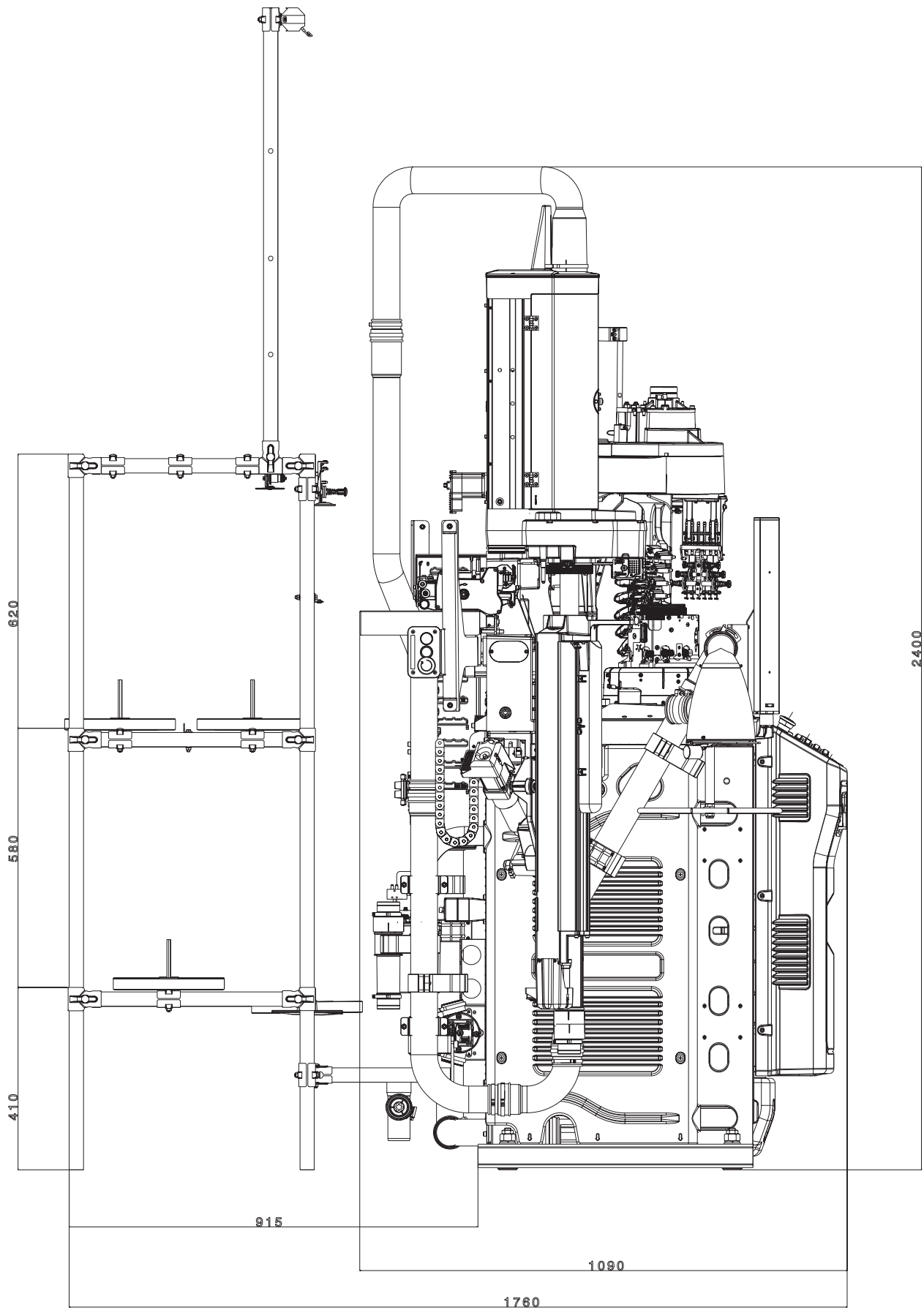


FRONT VIEW

Machine dimensions + 16 positions yarn creel.

NOTE:

The picture may show fittings and equipment that are supplied on demand and not.



SIDE VIEW

Machine dimensions + 16 positions yarn creel.

NOTE:

The picture may show fittings and equipment that are supplied on demand and not.





LONATI SPA
Via Francesco Lonati, 3 | 25124 Brescia (Italy)
Tel. +39 03023901 | Fax +39 030 2310024
C.F.: 01469680175 | P.iva: 02096730961
info@lonati.com - www.lonati.com