

WOMEN'S

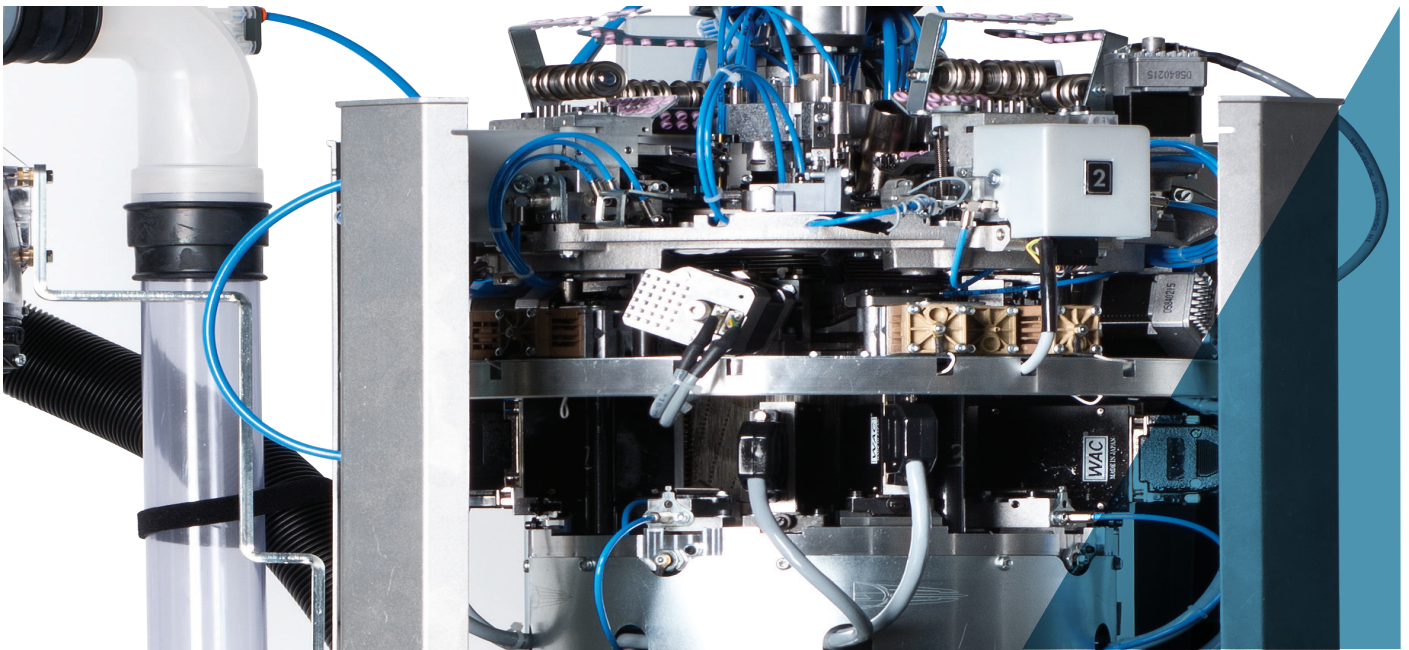
WOMEN'S SINGLE CYLINDER

LBOP



WOMEN'S SINGLE CYLINDER LBOP





All images in this brochure are indicative and not binding.

WOMEN'S SINGLE CYLINDER LBOP - "ORIGINAL PREMIUM"

Single cylinder 4-feed machine with electropneumatic controls, for the production of stockings, pantyhose in plain knit and/or "original premium" seamless collant, with possibility of reciprocated motion by one or two feeds.

- 4 feeds single cylinder machine
- 6 pliers suction unit
- 24 yarnfingers
- Motorized sinkers cap, 2 motors
- 4 stitch cams with motorized control of heights
- Electronic selection units on each feed

MACHINE DIMENSIONS



Length 60 cm + yarn creel cm 145
Depth 60 cm + yarn creel cm 145
Height 136 cm + yarn creel cm 265

MACHINE WEIGHT



Machine 230 kg
Yarn creel 70 kg

CERTIFICATION



Green
Label

WOMEN'S SINGLE CYLINDER

LBOP

TECHNICAL DATA

MODEL	CYLINDER DIAMETER	GAUGE	NEEDLE THICKNESS
LBOP (Needle latch 8,7mm)	4" 1/2	32	0.34 mm

Above data are indicative and not binding.

STANDARD DEVICES

- 40 reels yarn creel
- Sock ejection hood
- Yarn waste filter
- Stepper motor controlled suction valve
- Rotary or fixed antitwist device
- 4 Stitch-cams motorized for height control
- 6 pliers suction unit (plates, hooks and cut-pick)
- 8 yarn sliding sensors
- Pneumatic/mechanic radial plating on first yarnfinger
- Extra latch-opener for open-work mesh
- 2 Dinema yarn recovering device in reciprocated movement

OPTIONAL DEVICES

- DREAM or DREAM ONE device for stretching socks in ejection
- 2,2 Kw suction fan
- Ethernet board for connection to Dinema Nautilus data collector system
- Dinema YoYo yarn feeder, 12 max
- Dinema Plus medical or bare elastomer yarn feeders, 4 max
- Yarn sensors, 24 max
- Knit-in device kit

SUITABLE YARNS

The machine is designed to be used with the following yarns:

- Nylons texturized, multifibres, microfibers or flat type
- Elastomers (bare, single or double cover)
- Nylon monofilament for transparent styles

POSSIBLE KNITTINGS

The standard machine can perform the following knittings

- Reciprocated garment feature
- Plain knit
- 1:1, 3:1, 5:1, 7:1, 1:3 fixed mesh, micromech and diagonal mesh
- Several laid-in pattern (piquet effect), tucking, bikini pattern, cut boss etc
- Supp-hose on 2 or 4 feeds
- Plating plain knit on 2 or 4 feeds

WOMEN'S SINGLE CYLINDER LBOP

NUMBER OF COLORS

Number of colors

Working feeds 1-2-3-4: one color each course

PERFORMANCES

	4" 1/2 CYLINDER DIAMETER
GAUGE	32
MAXIMUM SPEED	600 RPM

Above data are indicative and not binding.

DISCLAIMER:

Speed may need to be adjusted according to the inclination of the stitch cams, to the mechanical parts in use and to the yarn.
N.B. All data in the brochure are for information only and subject to change without any prior notice from Lonati SpA.

ALLOWED PERFORMANCES

CHART OF MAXIMUM ALLOWED SPEED IN PLAIN KNIT IN RELATION TO THE INCLINATION TO THE STITCH CAMS

Stitch cam inclination	Maximum allowed speed in plain knit
40°	600
48°	500
55°	450

NUMBER OF POSSIBLE COLORS ON EACH COURSE ACCORDING TO THE NUMBER OF WORKING FEEDS

Working feeds	Number of colors
1° - 2° - 3° - 4°	1 each course

AVAILABLE CYLINDERS

GG75-0,34	448 - 480
GG70-0,41	368 - 416
GG54-0,50	288 - 236

Above data are indicative and not binding.

DISCLAIMER:

All data related to maximum allowed mechanical speed may require to be reduced (to be adjusted according to functional tests on the machine) when using specific particular yarns and/or knitting features.

WOMEN'S SINGLE CYLINDER

LBOP

NOISE LEVEL

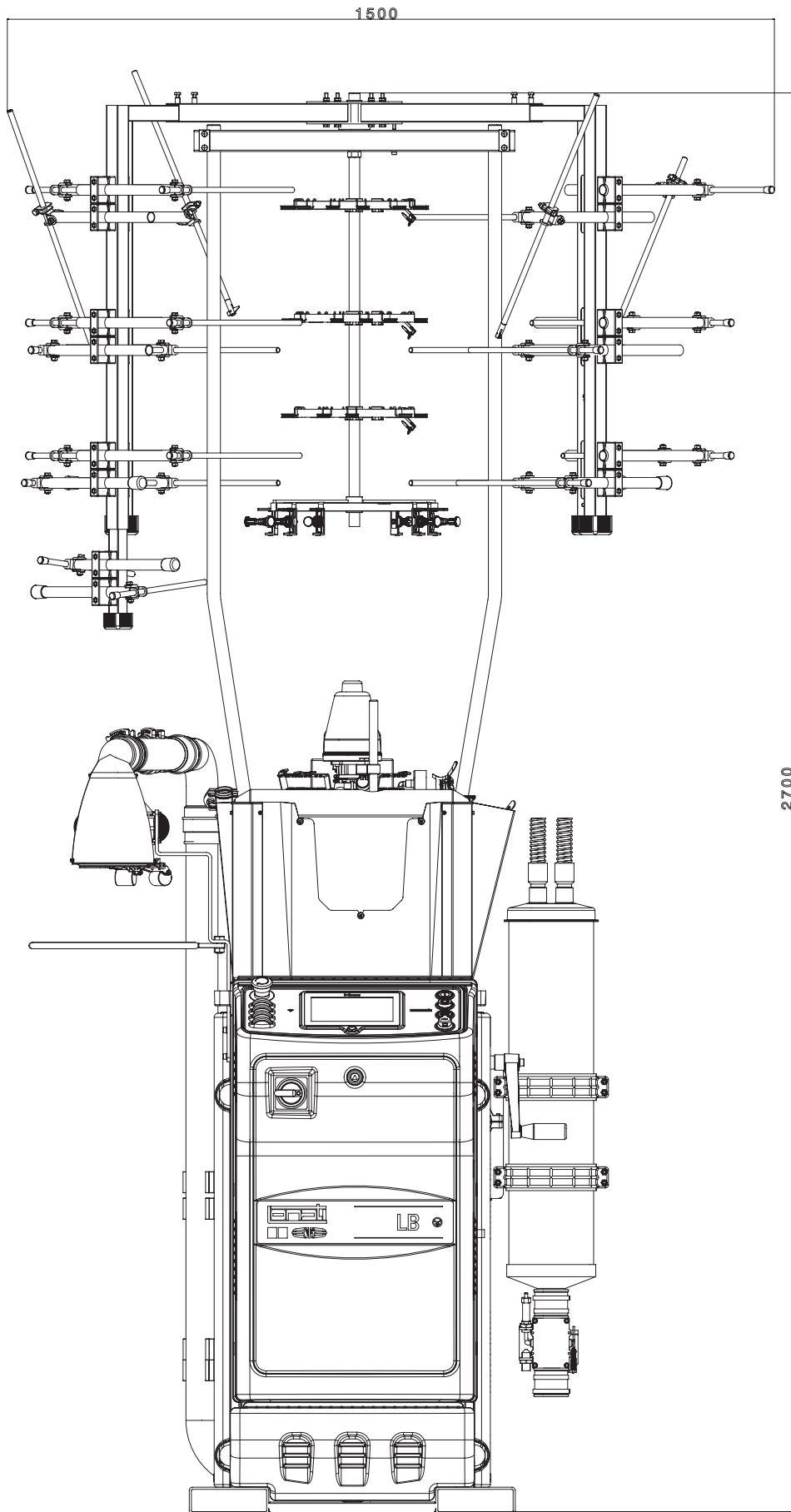
Machine average noise level, suction included LeqA = 74dBA

LUBRICANTS

Average consumption for 500/600 dozens: 1000 gr. - Lonati recommends: Fuchs Trax 14C - Kluber Tex Sintheso M32 - Esso Eil 0287

GREASE

For seals, bearings etc. Lonati recommends: Damping grease Nyogel 774F

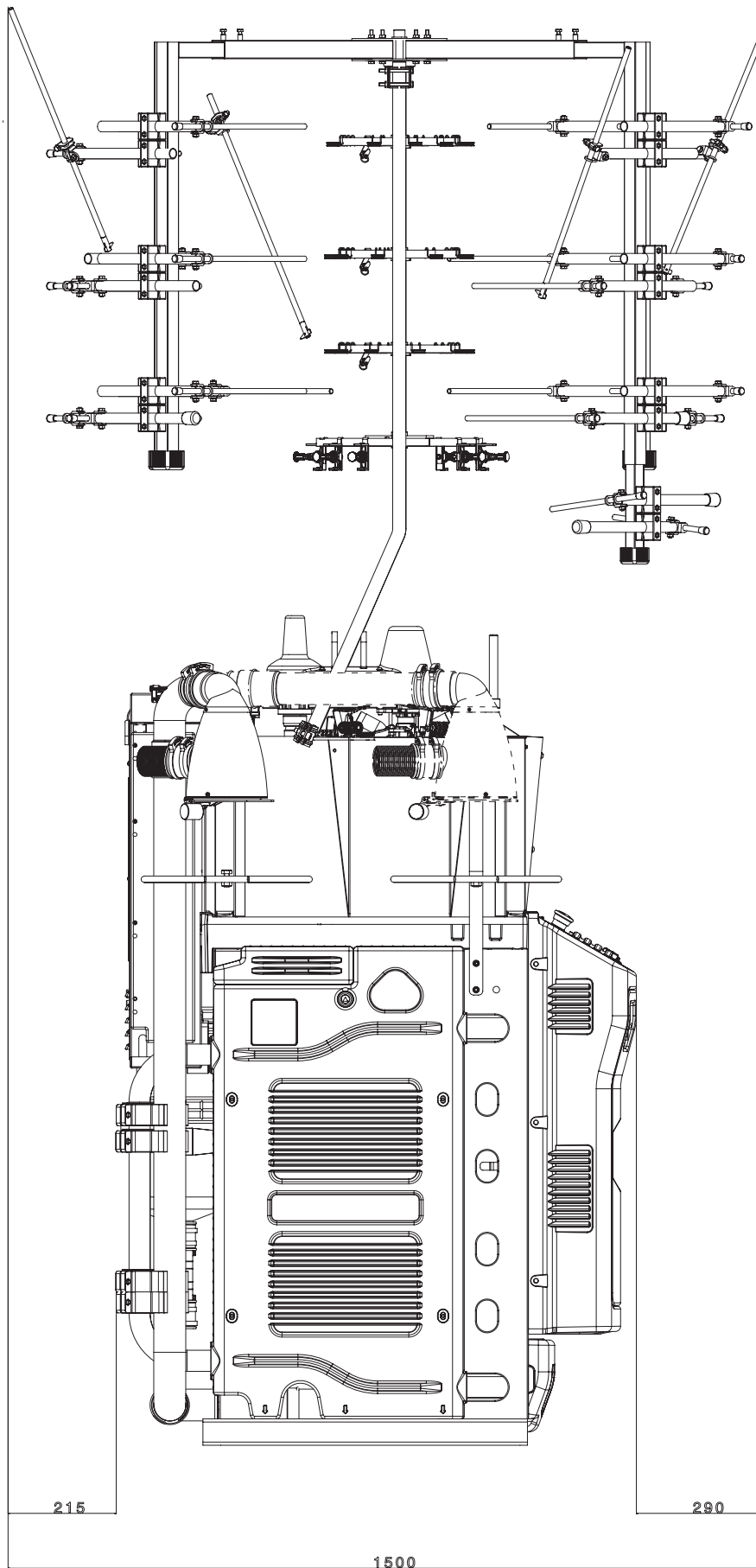


FRONT VIEW

Machine dimensions with 26 reels yarn creel

NOTE:

The picture may show fittings and equipment that are supplied on demand and not.

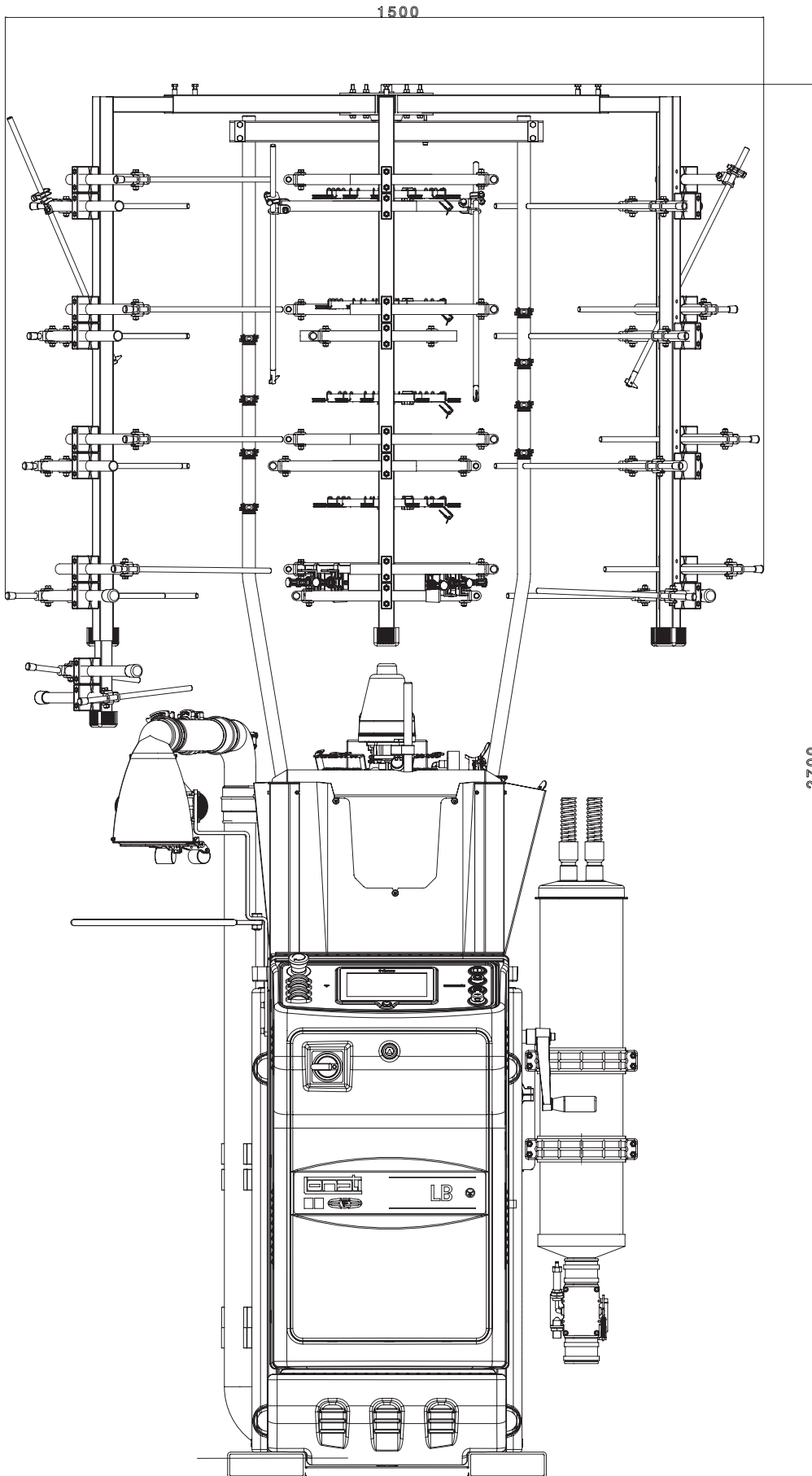


SIDE VIEW

Machine dimensions with 26 reels yarn creel

NOTE:

The picture may show fittings and equipment that are supplied on demand and not.

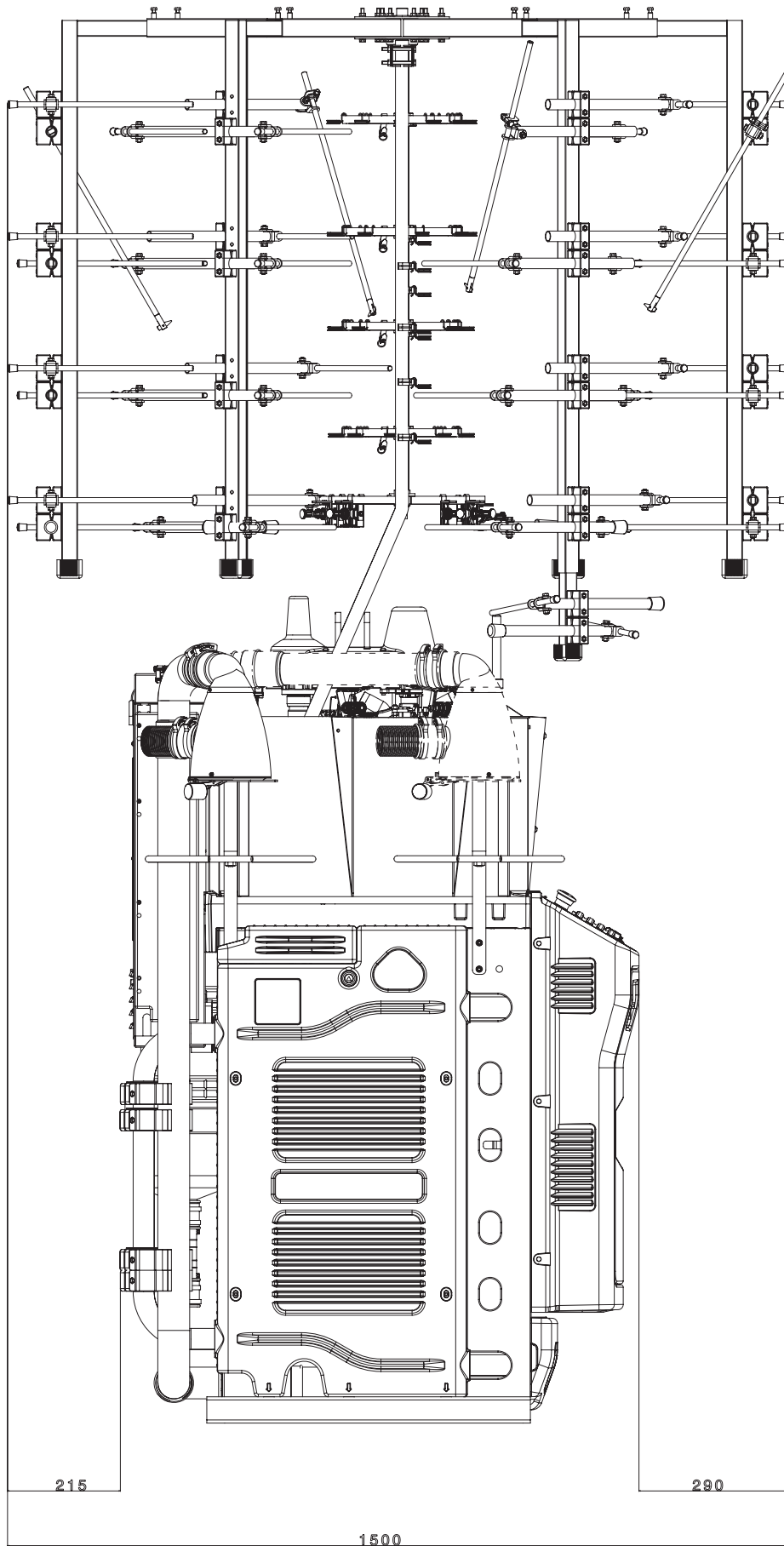


FRONT VIEW

Machine dimensions with 40 reels yarn creel

NOTE:

The picture may show fittings and equipment that are supplied on demand and not.



SIDE VIEW

Machine dimensions with 40 reels yarn creel

NOTE:

The picture may show fittings and equipment that are supplied on demand and not.





LONATI SPA

Via Francesco Lonati, 3 | 25124 Brescia (Italy)

Tel. +39 03023901 | Fax +39 030 2310024

C.F.: 01469680175 | P.iva: 02096730961

info@lonati.com - www.lonati.com