

# WOMEN'S

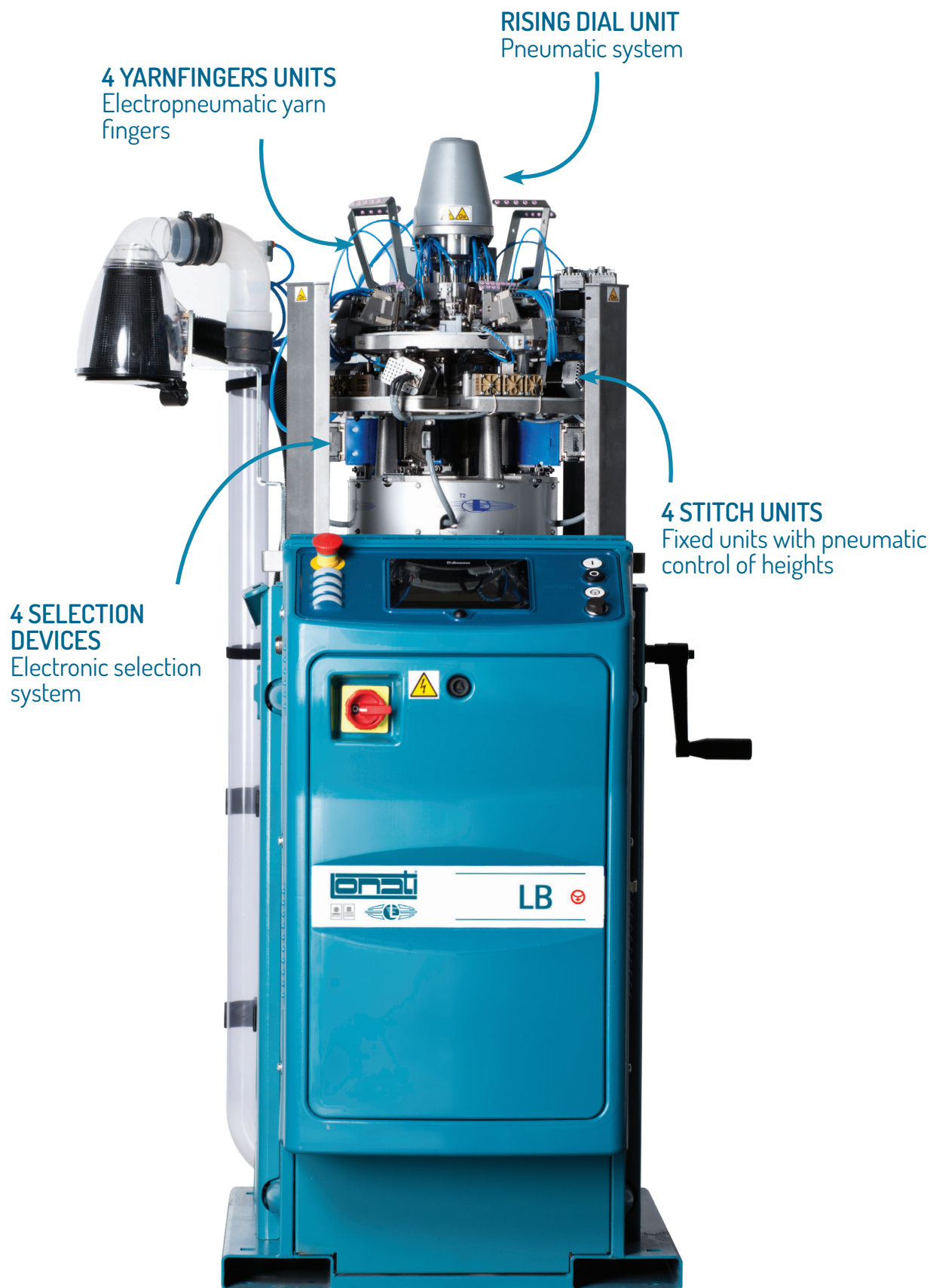
## WOMEN'S SINGLE CYLINDER

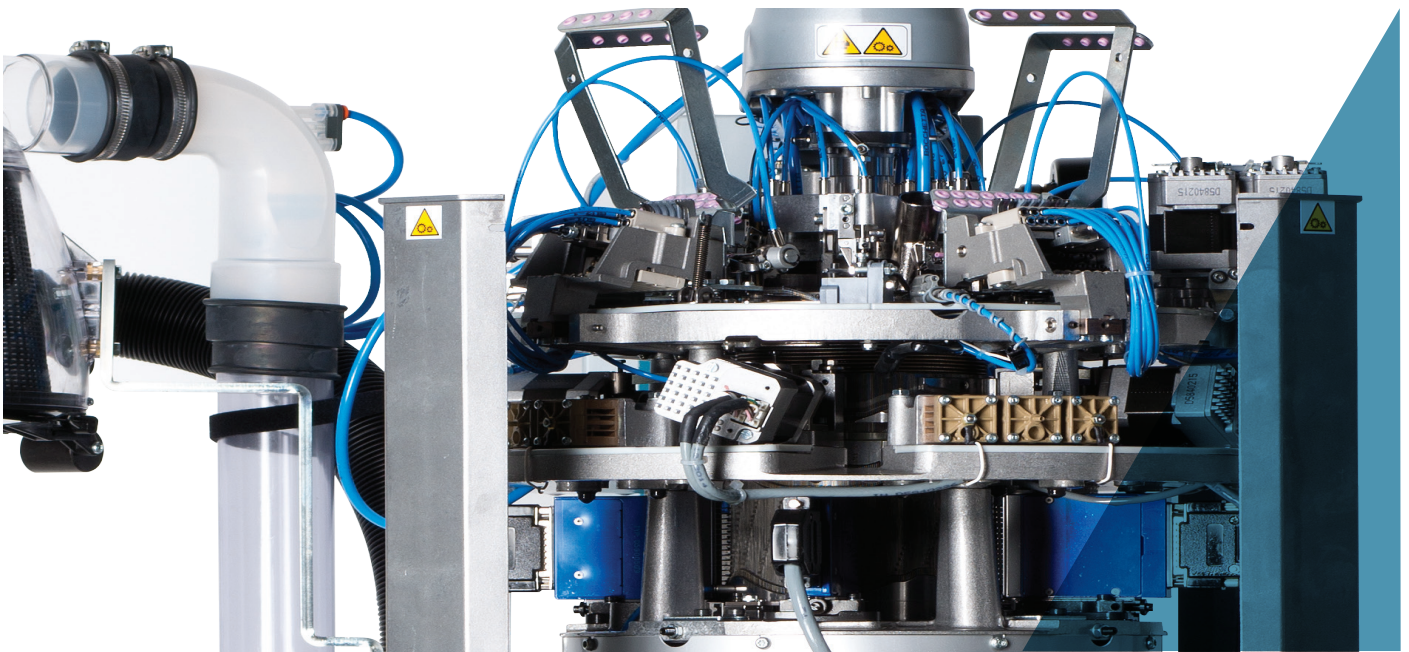
### LB45E7



# WOMEN'S SINGLE CYLINDER

LB45E7





All images in this brochure are indicative and not binding.

## WOMEN'S SINGLE CYLINDER LB45E7

Electropneumatic single cylinder 4 feeds machine with needle-by-needle selection unit on each feed for the production of stockings and pantyhose with jacquard, baguette and bikini pattern. Pneumatic stitch cams, single or double dial jacks. Electronic device to maintain the size at any temperature of the machine.

- 4 feeds single cylinder machine
- 6 pliers suction unit
- 24 yarnfingers
- motorized sinkers cap, 1 motor
- 4 pneumatic stitch cams
- 1 electronic selection unit on each feed

### MACHINE DIMENSIONS



Length 60 cm + yarn creel cm 145  
Depth 60 cm + yarn creel cm 145  
Height 136 cm + yarn creel cm 265

### MACHINE WEIGHT



Machine 230 kg  
Yarn creel 70 kg

### CERTIFICATION



Green  
Label

# WOMEN'S SINGLE CYLINDER

## LB45E7

### TECHNICAL DATA

MODEL	CYLINDER DIAMETER	GAUGE	NEEDLE THICKNESS
LB45E7 (Needle latch 7 mm)	4"	32	0.34 mm

Above data are indicative and not binding.

### STANDARD DEVICES

- 26 or 40 reels yarn creel
- Sock ejection hood
- Yarn waste filter
- Stepper motor controlled suction valve
- Rotary or fixed antitwist device
- 4 pneumatic stitch cam units
- 6 pliers suction unit (plates, haks and cut-pick)
- 4 yarn sliding sensors
- Extra-latch opener for open-work

### OPTIONAL DEVICES

- DREAM or DREAM ONE device for stretching socks in ejection
- 1,1 or 2,2 Kw suction fan
- Ethernet board for connection to Dinema Nautilus data collector system
- Dinema YoYo yarn feeder, 12 max
- Dinema Plus medical or bare elastomer yarn feeders, 4 max
- Yarn sensors, 24 max
- Motorized sinkers cap, 2 motors
- 4 motorized stitch cams
- Laid-in mechanical device on feeds 1 and 3

### SUITABLE YARNS

The machine is designed to be used with the following yarns:

- Nylon
- Filanca
- Elastomers (bare, single or double cover)
- Stretch, for transparent items

### POSSIBLE KNITTINGS

The standard machine can perform the following knittings

- Plain knit
- 1:1, 3:1, 5:1, 7:1, 1:3 fixed mesh, micromech and diagonal mesh
- different selections for vertical cutting bands
- Several 1:1, 2:2 (cut boss) pattern, bikini pattern, pattern heel etc.
- Supp-hose on 2 or 4 feeds
- Plain knit plating on 2 or 4 feeds

# WOMEN'S SINGLE CYLINDER

## LB45E7

### NUMBER OF COLORS

Number of colors

-Working feeds 1-2-3-4: one color each course

### PERFORMANCES

	4" 1/2 CYLINDER DIAMETER
GAUGE	32
MAXIMUM SPEED	600 RPM

Above data are indicative and not binding.

#### DISCLAIMER:

Speed may need to be adjusted according to the inclination of the stitch cams, to the mechanical parts in use and to the yarn.  
N.B. All data in the brochure are for information only and subject to change without any prior notice from Lonati SpA.

### ALLOWED PERFORMANCES

CHART OF MAXIMUM ALLOWED SPEED IN PLAIN KNIT IN RELATION TO THE INCLINATION TO THE STITCH CAMS

Stitch cam inclination	Maximum allowed speed in plain knit
40°	700
48°	600
55°	500

NUMBER OF POSSIBLE COLORS ON EACH COURSE ACCORDING TO THE NUMBER OF WORKING FEEDS

Working feeds	Working feeds
1° - 2° - 3° - 4°	1 each course

AVAILABLE CYLINDERS

GG75-0,34	448 - 480
GG70-0,41	368 - 416
GG54-0,50	288 - 236

Above data are indicative and not binding.

#### DISCLAIMER:

All data related to maximum allowed mechanical speed may require to be reduced (to be adjusted according to functional tests on the machine) when using specific particular yarns and/or knitting features.

# WOMEN'S SINGLE CYLINDER

LB45E7

## NOISE LEVEL

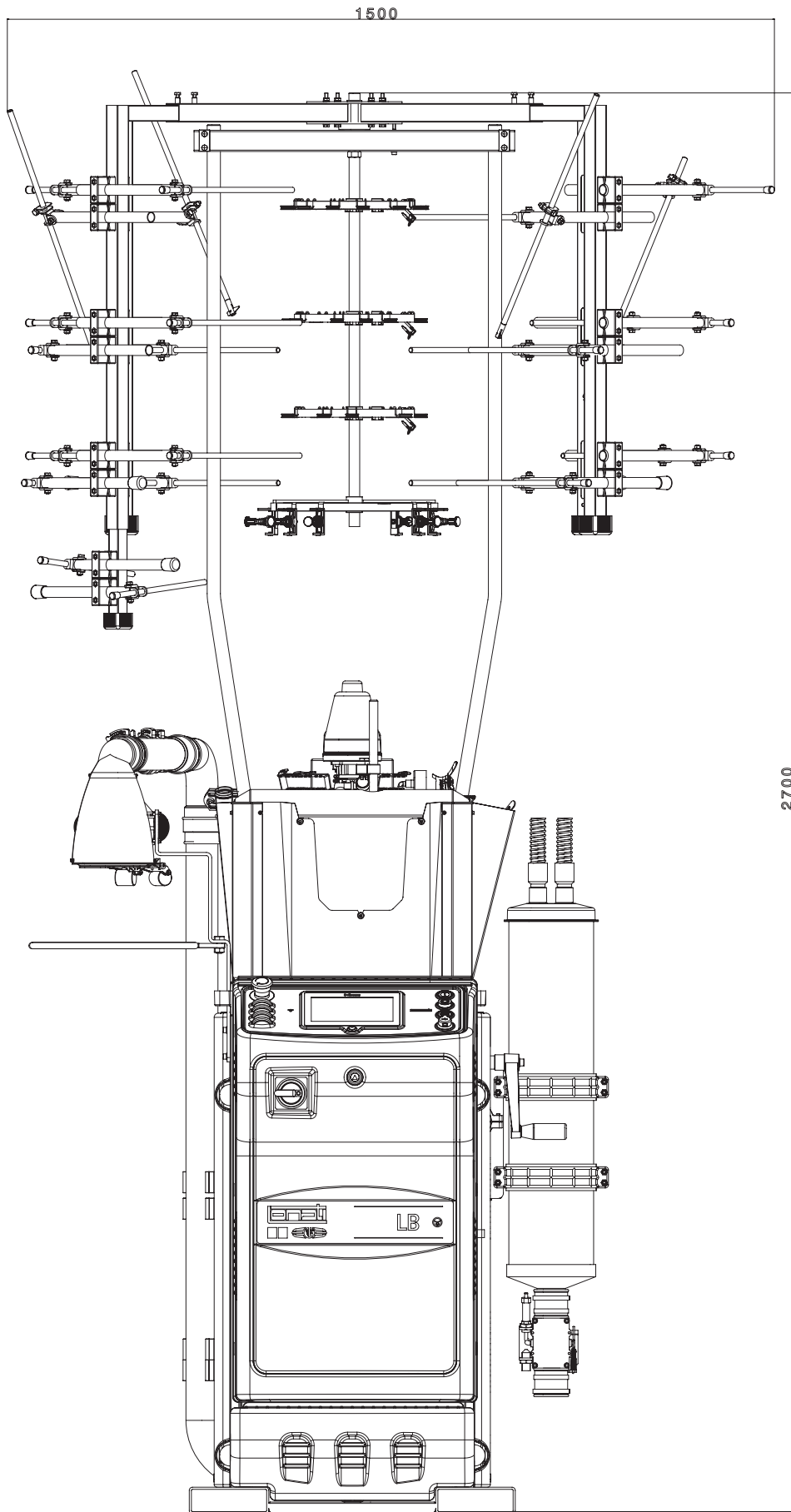
Machine average noise level, suction included LeqA = 74dBA

## LUBRICANTS

Average consumption for 500/600 dozens: 1000 gr. - Lonati recommends: Fuchs Trax 14C - Kluber Tex Sintheso M32 - Esso Eil 0287

## GREASE

For seals, bearings etc. Lonati recommends: Damping grease Nyogel 774F



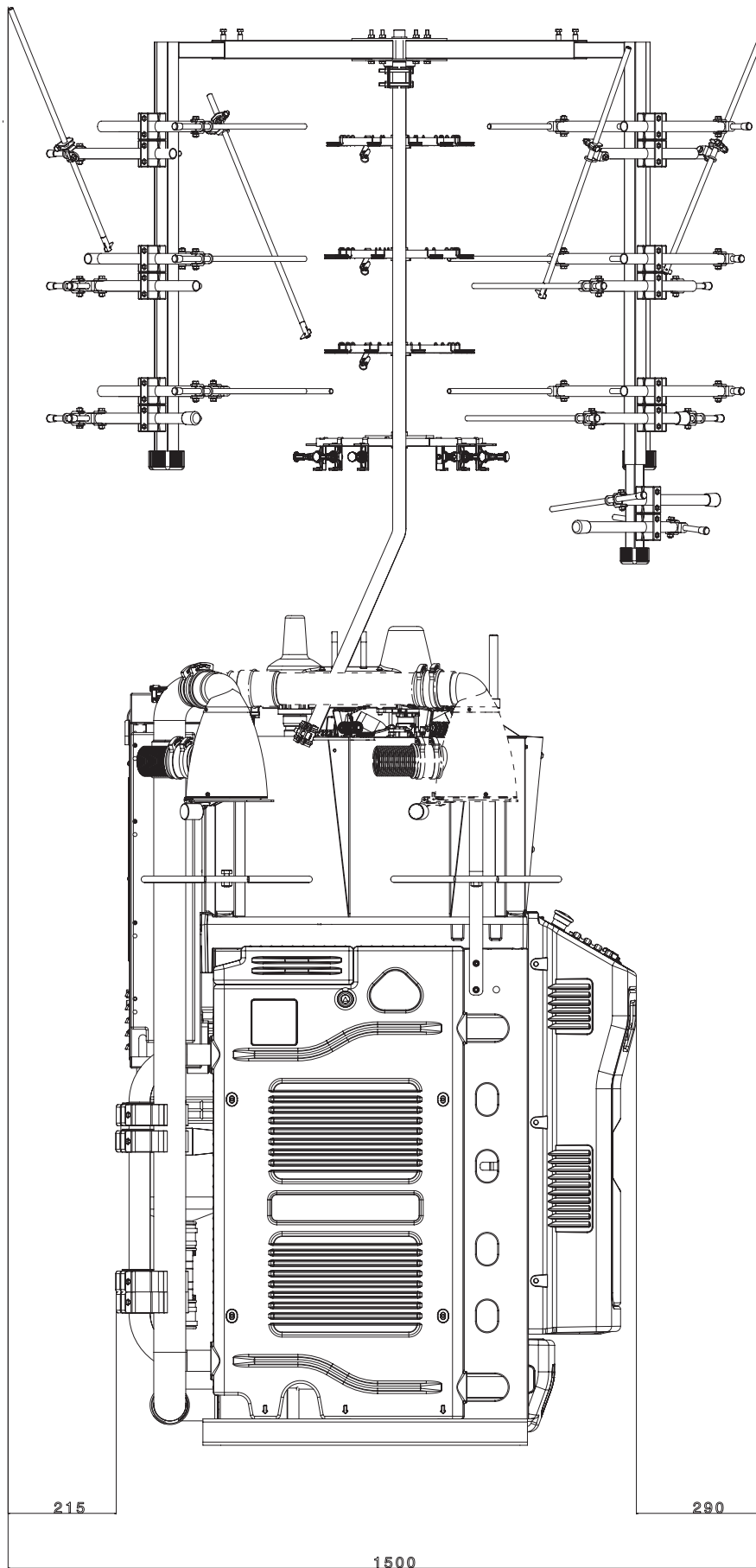
### FRONT VIEW

Machine dimensions with 26 reels yarn creel

### NOTE:

The picture may show fittings and equipment that are supplied on demand and not.



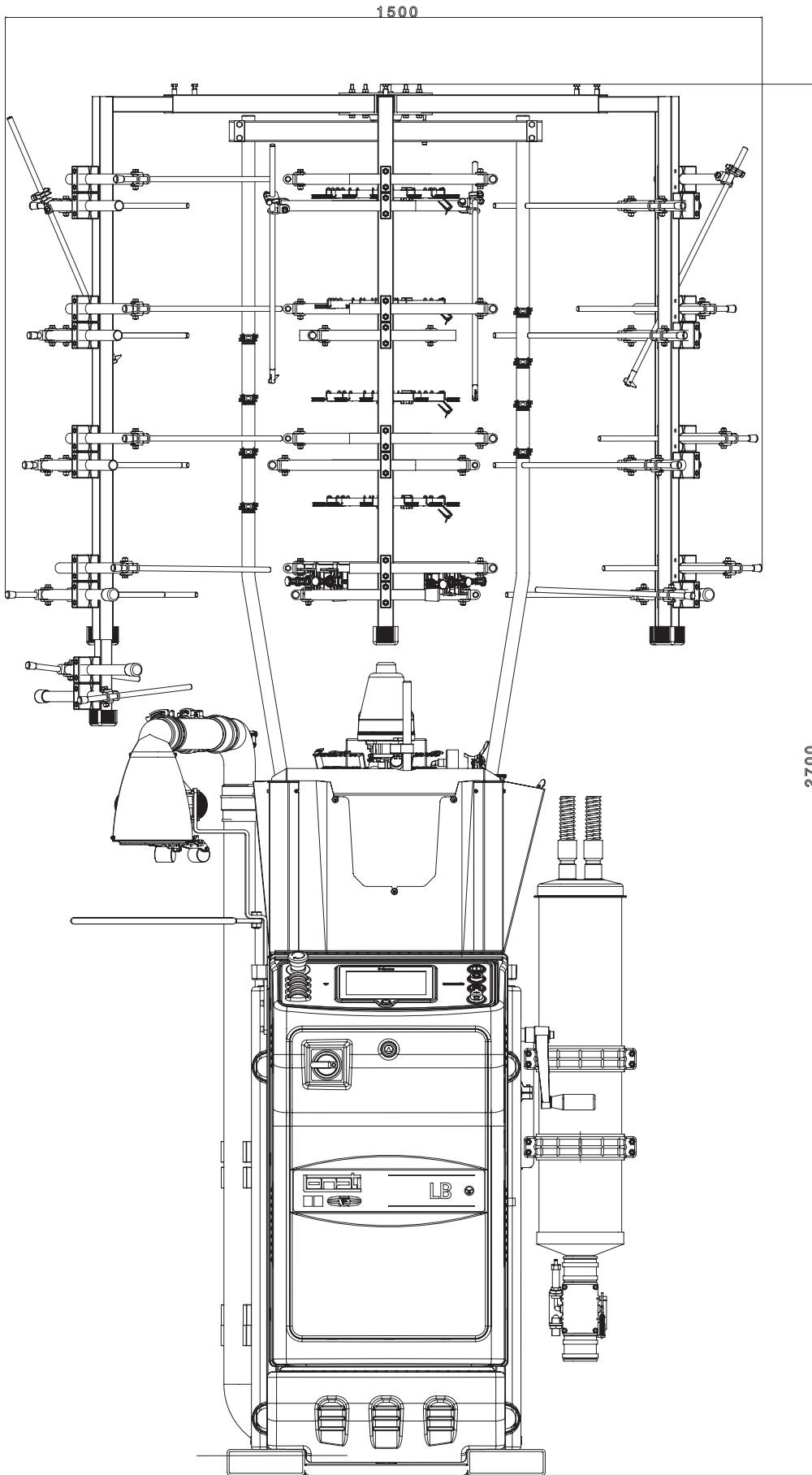


## SIDE VIEW

Machine dimensions with 26 reels yarn creel

### NOTE:

The picture may show fittings and equipment that are supplied on demand and not.

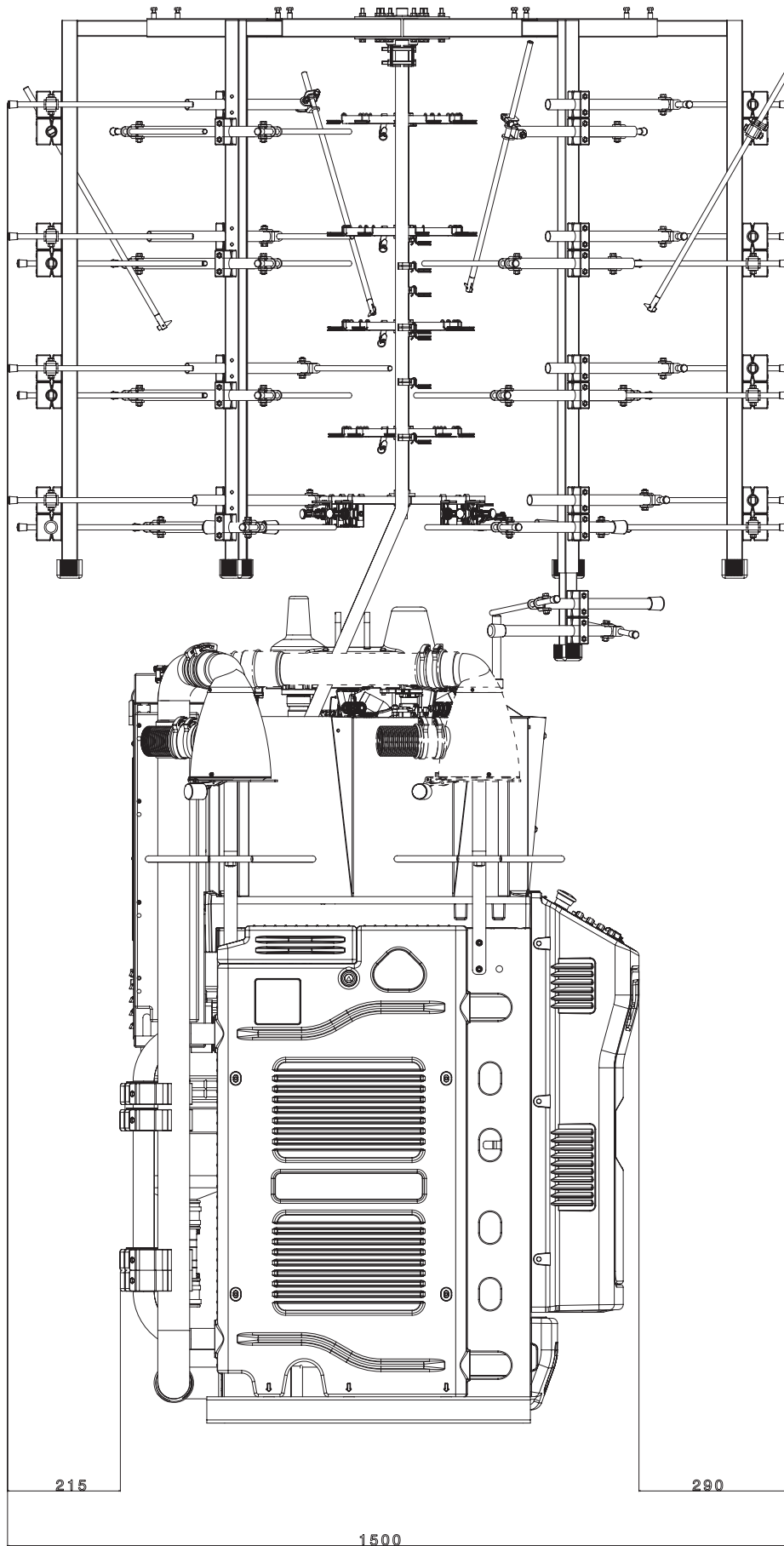


**FRONT VIEW**

Machine dimensions with 40 reels yarn creel

**NOTE:**

The picture may show fittings and equipment that are supplied on demand and not.



### SIDE VIEW

Machine dimensions with 40 reels yarn creel

### NOTE:

The picture may show fittings and equipment that are supplied on demand and not.

**NOTE**

LB45E7

**NOTE**

LB45E7







**LONATI SPA**

Via Francesco Lonati, 3 | 25124 Brescia (Italy)  
Tel. +39 03023901 | Fax +39 030 2310024  
C.F.: 01469680175 | P.iva: 02096730961  
info@lonati.com - www.lonati.com