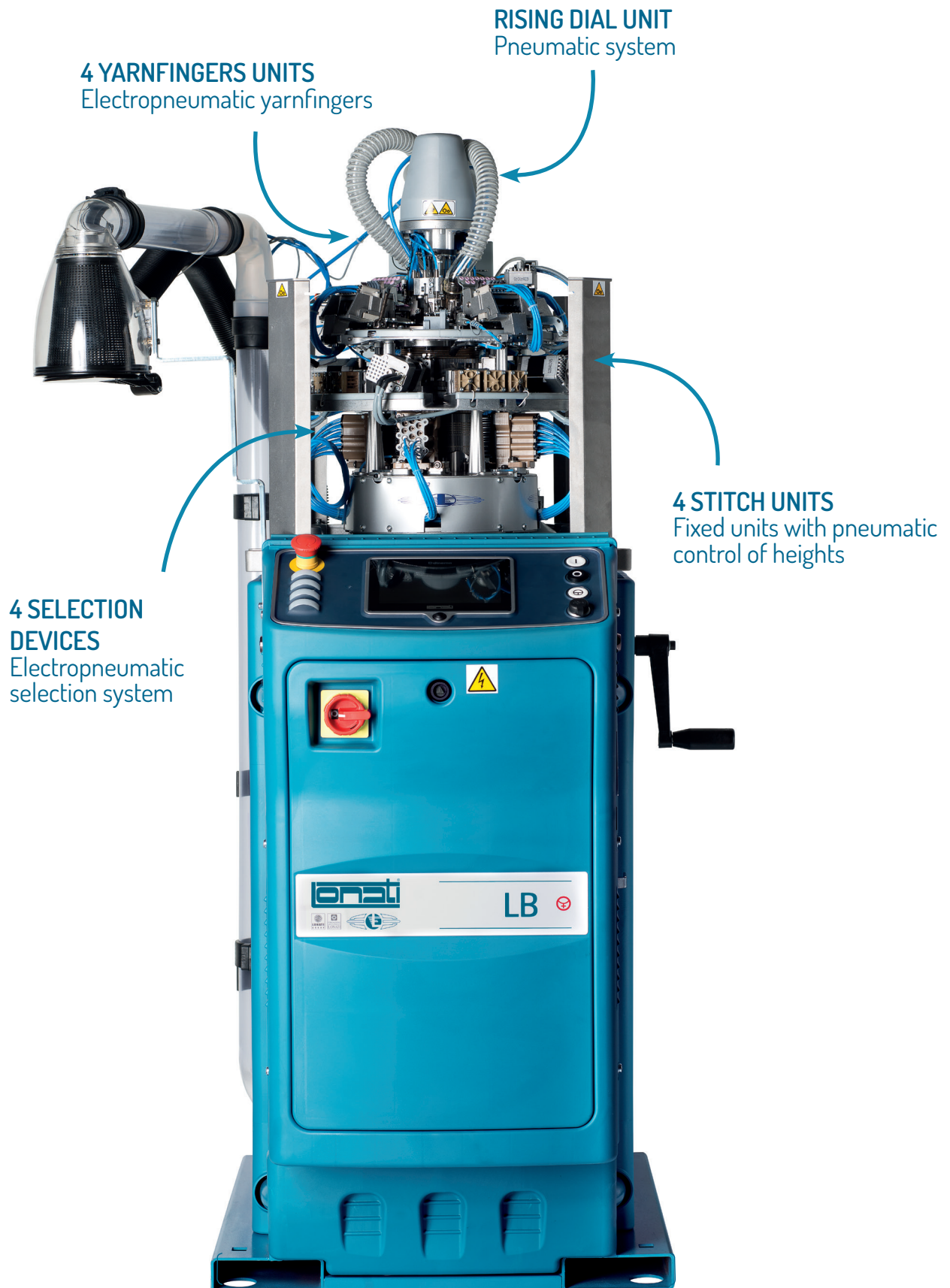


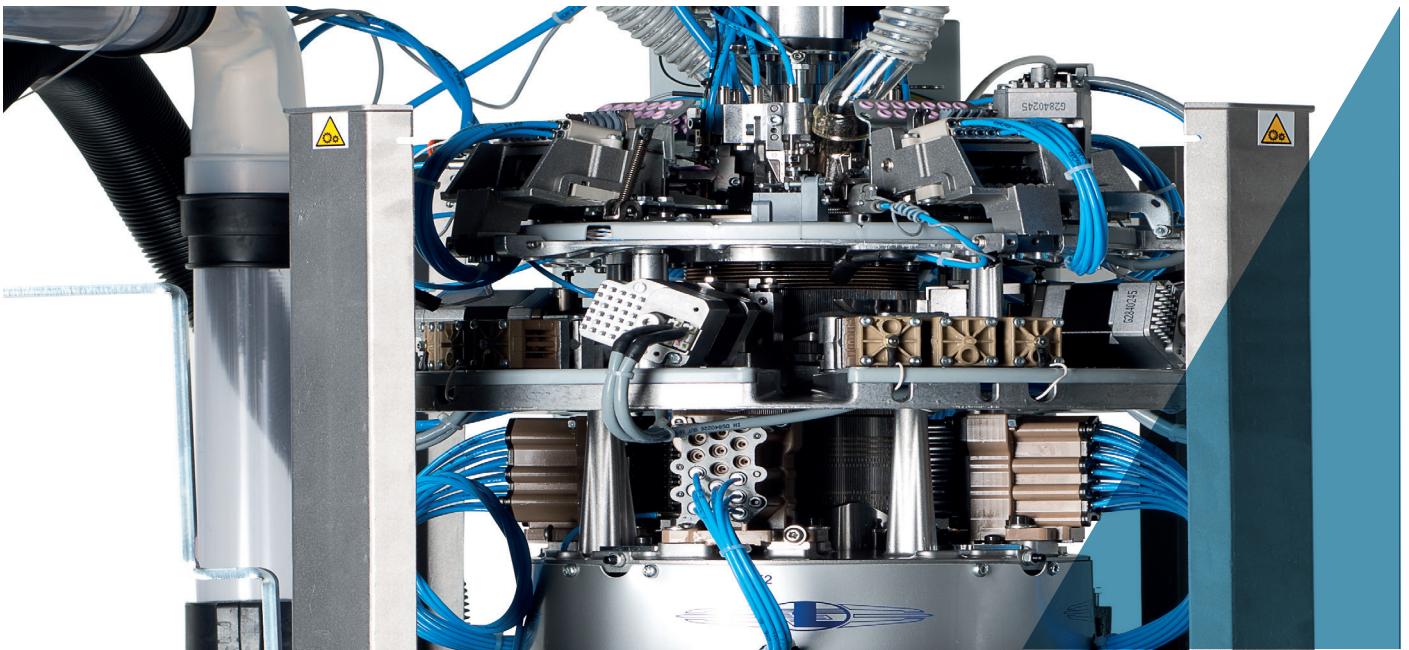
**WOMEN'S**  
**WOMEN'S SINGLE CYLINDER**  
LB12P7 - LB22P7



# WOMEN'S SINGLE CYLINDER

LB12P7 - LB22P7





All images in this brochure are indicative and not binding.

## WOMEN'S SINGLE CYLINDER

### LB12P7 - LB22P7

Electropneumatic single cylinder, 4 feeds machine for stockings and pantyhose in plain knit, 1x1 and 3x1 fixed mesh on 4 feeds and T-Band, covered lycra plating, 4 feeds plating, size marks and pneumatic selection on all feeds. Single or double dial jacks. Electronic device to maintain size at any temperature on the machine.

- 4 feeds single cylinder machine
- 6 pliers suction unit
- 19 to 24 yarnfingers
- Motorized sinkers cap, 1 motor
- 4 pneumatic stitch cams
- 4 pneumatic selection units on feeds 1,2,3 and 4 for mesh

#### MACHINE DIMENSIONS



Length 60 cm + yarn creel 130 cm  
Depth 60 cm + yarn creel 130 cm  
Height 136 cm + yarn creel 250 cm

#### MACHINE WEIGHT



Machine 225 kg  
Yarn creel 28 kg

#### CERTIFICATION



Green  
Label

# WOMEN'S SINGLE CYLINDER

LB12P7 - LB22P7

## TECHNICAL DATA

MODEL	CYLINDER DIAMETER	GAUGE	NEEDLE THICKNESS
LB12P7 (Needle latch 7 mm)	4"	32	0.34 mm
LB22P7 (Needle latch 7 mm)	4" 1/4	32	0.34 mm

All images in this brochure are indicative and not binding.

## STANDARD DEVICES

- 26 or 40 reels yarn creel
- Sock ejection hood
- Yarn waste filter
- Stepper motor controlled suction valve
- Rotary or fixed antitwist device
- 2 yarn sliding sensors

## OPTIONAL DEVICES

- DREAM or DREAM ONE device for stretching socks in ejection
- 1,1 Kw suction fan
- Ethernet board for connection to Dinema Nautilus data collector system
- Dinema YoYo yarn feeder, 12 max
- Dinema Plus medical or bare elastomer yarn feeders, 4 max
- Yarn sensors, 24 max
- Motorized sinkers cap, 2 motors
- 4 motorized stitch cams

## SUITABLE YARNS

The machine is designed to be used with the following yarns:

- Nylon;
- Elastomers (bare, single or double cover);
- Filanca;
- Stretch, for transparent items;

## POSSIBLE KNITTINGS

The standard machine can perform the following knittings

- Plain knit
- 1:1, 3:1, 5:1, 7:1, 1:3 fixed mesh
- 1:1 on reinforced bands
- Reinforced band
- Supp-hose on 2 or 4 feeds
- Plain knit plating on 2 or 4 feeds

# WOMEN'S SINGLE CYLINDER

## LB12P7 - LB22P7



### PERFORMANCES

	4" CYLINDER DIAMETER (ON LB12P7)	4" 1/4 CYLINDER DIAMETER (ON LB22P7)
GAUGE	32	32
KNITTING FEATURES	750 rpm with selectors working and 40° stitch cams	600 rpm with running selectors and 40° stitch cams
MAXIMUM SPEED	850 RPM	700 RPM

All images in this brochure are indicative and not binding.

#### DISCLAIMER:

speed may need to be adjusted according to the inclination of the stitch cams, to the mechanical parts in use and to the yarn.  
N.B. All data in the brochure are for information only and subject to change without any prior notice from Lonati SpA.

### ALLOWED PERFORMANCES

CHART OF MAXIMUM ALLOWED SPEED IN PLAIN KNIT IN RELATION TO THE INCLINATION TO THE STITCH CAMS m/c LB12

Stitch cam inclination	Maximum allowed speed in plain knit
40°	850
48°	750
55°	650

CHART OF MAXIMUM ALLOWED SPEED IN PLAIN KNIT IN RELATION TO THE INCLINATION TO THE STITCH CAMS m/c LB22P7

46°	700
55°	500

AVAILABLE CYLINDERS FOR LB12

GG80-0,26	440 - 480
GG75-0,34	320 - 336 - 340 - 342 - 352 - 360 - 368 - 380 - 382 - 384 - 400 402 - 432 - 434
GG70-0,41	240 - 280 - 288 - 300 - 320 - 336 - 360
GG54-0,50	176 - 208 - 240 - 256 - 320

AVAILABLE CYLINDERS FOR LB22P7

GG80-0,26	512
GG75-0,34	432 - 448 - 480
GG70-0,41	360
GG54-0,50	288

All images in this brochure are indicative and not binding.

#### DISCLAIMER:

All data related to maximum allowed mechanical speed may require to be reduced (to be adjusted according to functional tests on the machine) when using specific particular yarns and/or knitting features.

Lonati is recommending needles from  
**GROZ-BECKERT®**

# WOMEN'S SINGLE CYLINDER

LB12P7 - LB22P7

## NOISE LEVEL

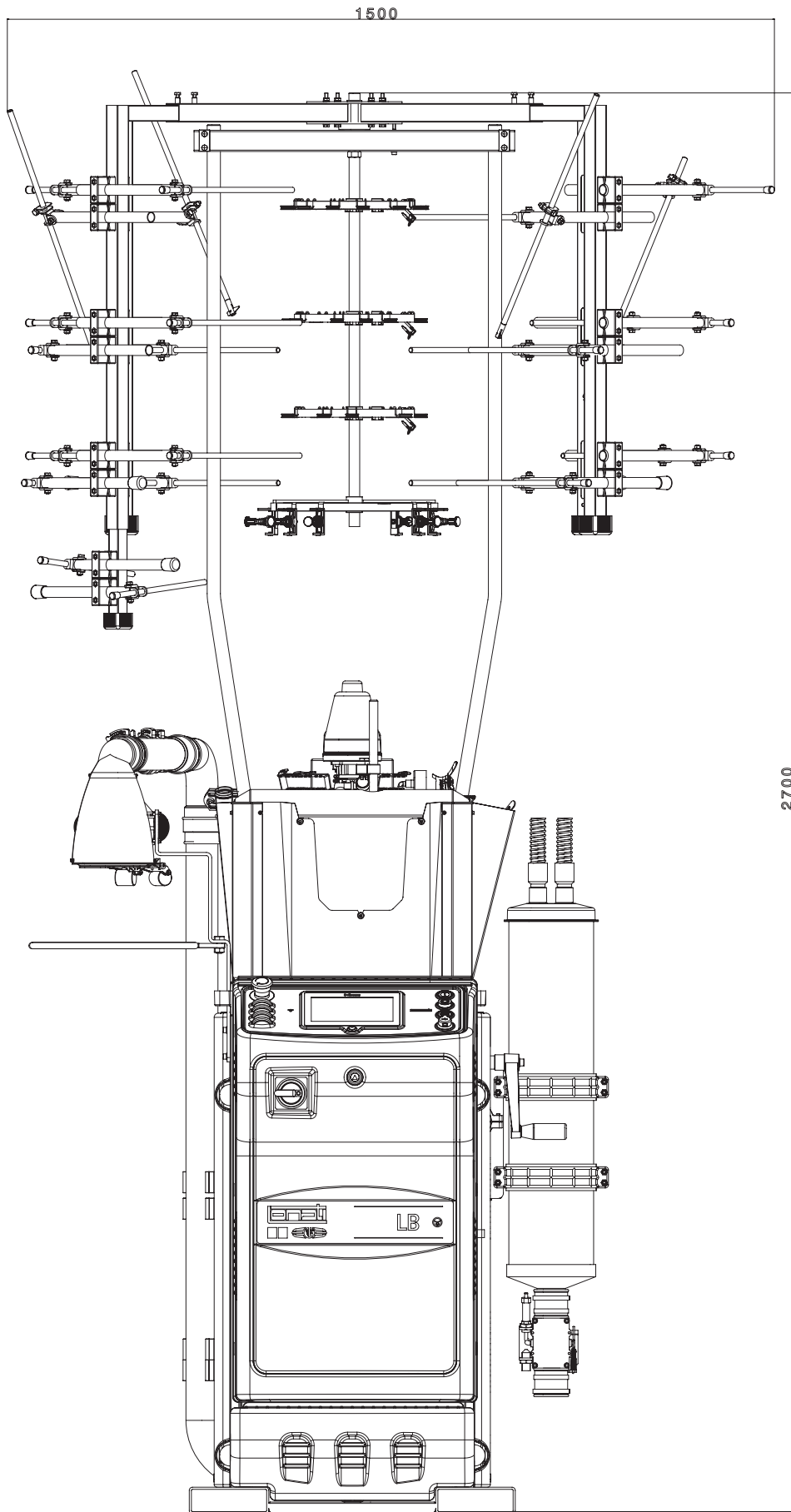
Machine average noise level, suction included LeqA = 74dBA

## LUBRICANTS

Average consumption for 500/600 dozens: 1000 gr. - Lonati recommends: Fuchs Trax 14C - Kluber Tex Sintheso M32 - Esso Eil 0287

## GREASE

For seals, bearings etc. Lonati recommends: Damping grease Nyogel 774F



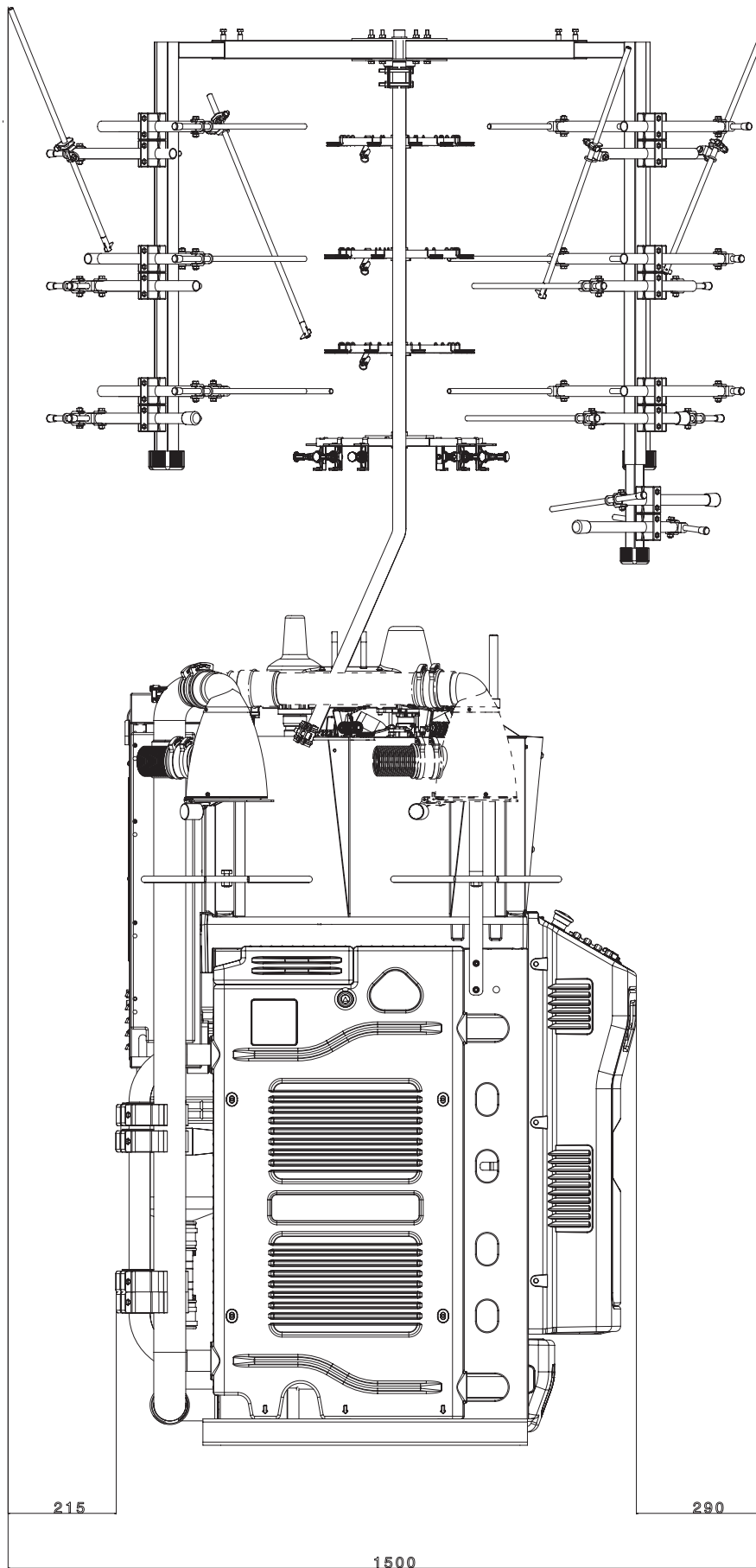
### FRONT VIEW

Machine dimensions with 26 reels yarn creel

### NOTE:

The picture may show fittings and equipment that are supplied on demand and not.



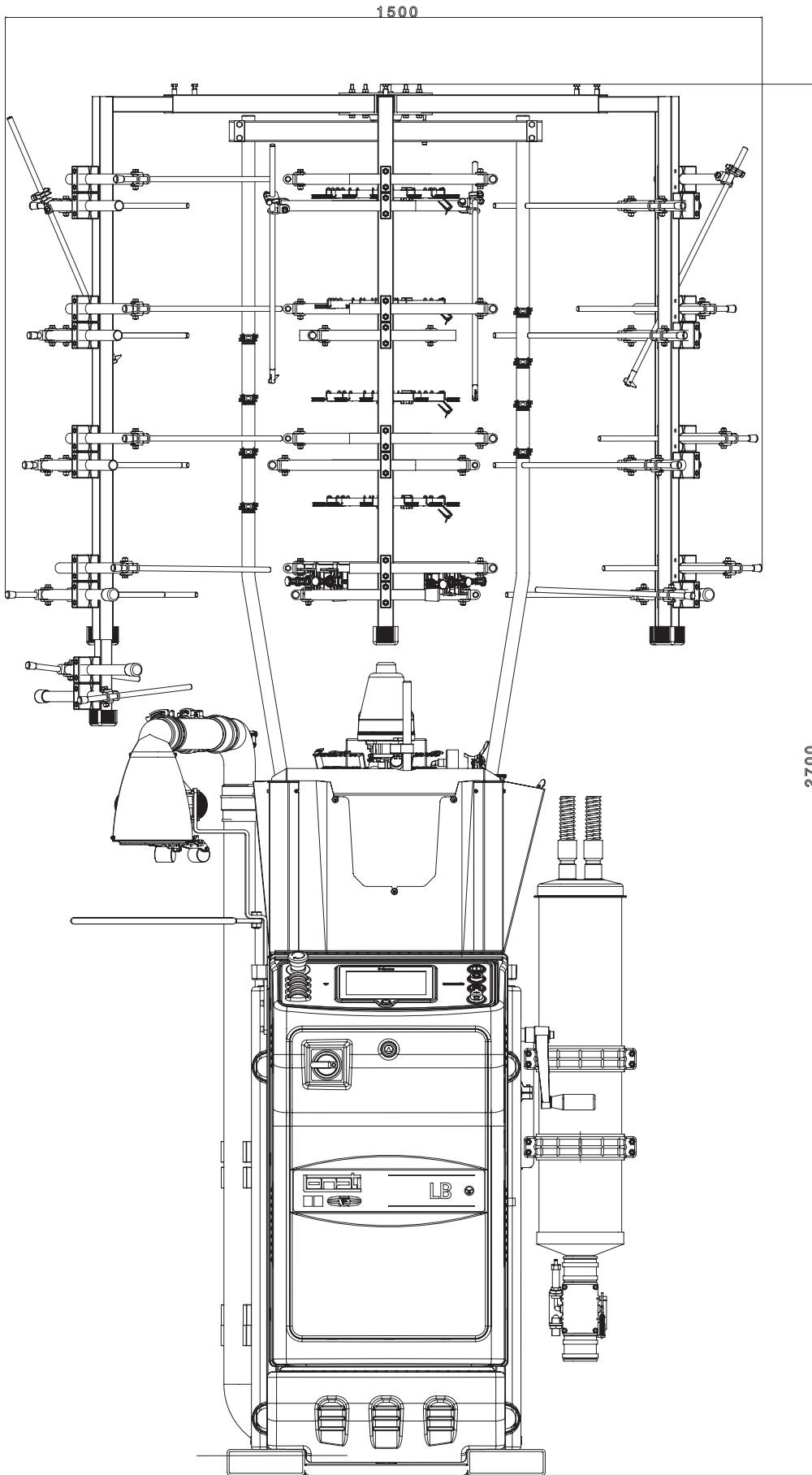


## SIDE VIEW

Machine dimensions with 26 reels yarn creel

### NOTE:

The picture may show fittings and equipment that are supplied on demand and not.

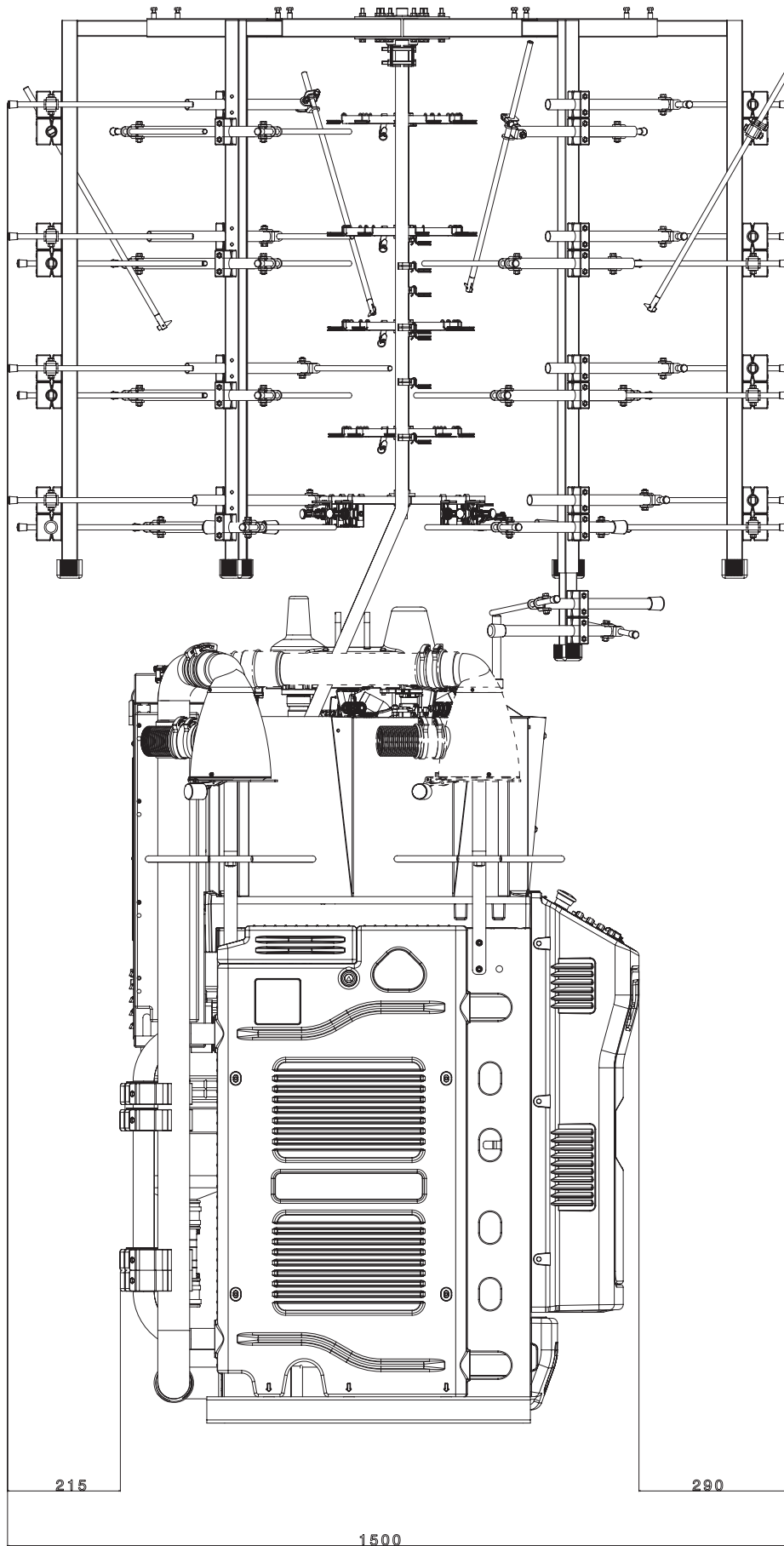


**FRONT VIEW**

Machine dimensions with 40 reels yarn creel

**NOTE:**

The picture may show fittings and equipment that are supplied on demand and not.



### SIDE VIEW

Machine dimensions with 40 reels yarn creel

### NOTE:

The picture may show fittings and equipment that are supplied on demand and not.







LONATI SPA  
Via Francesco Lonati, 3 | 25124 Brescia (Italy)  
Tel. +39 03023901 | Fax +39 030 2310024  
C.F.: 01469680175 | P.iva: 02096730961  
info@lonati.com - www.lonati.com