

GOAL

SINGLE CYLINDER

GK715H - GK716H - GK615H - GK616H

GK515H - GK516H



SINGLE CYLINDER

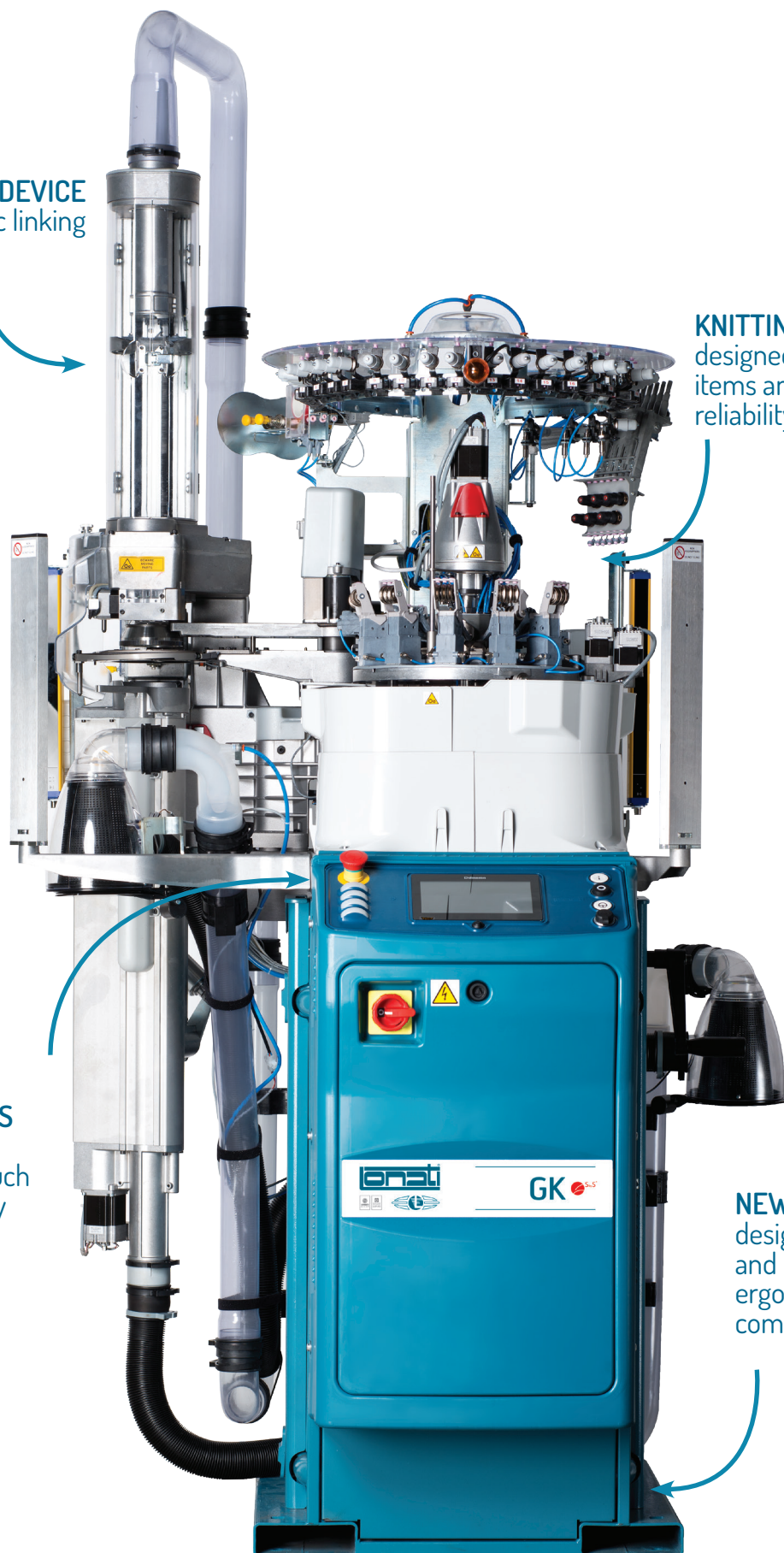
GK715H - GK716H - GK615H - GK616H - GK515H - GK516H

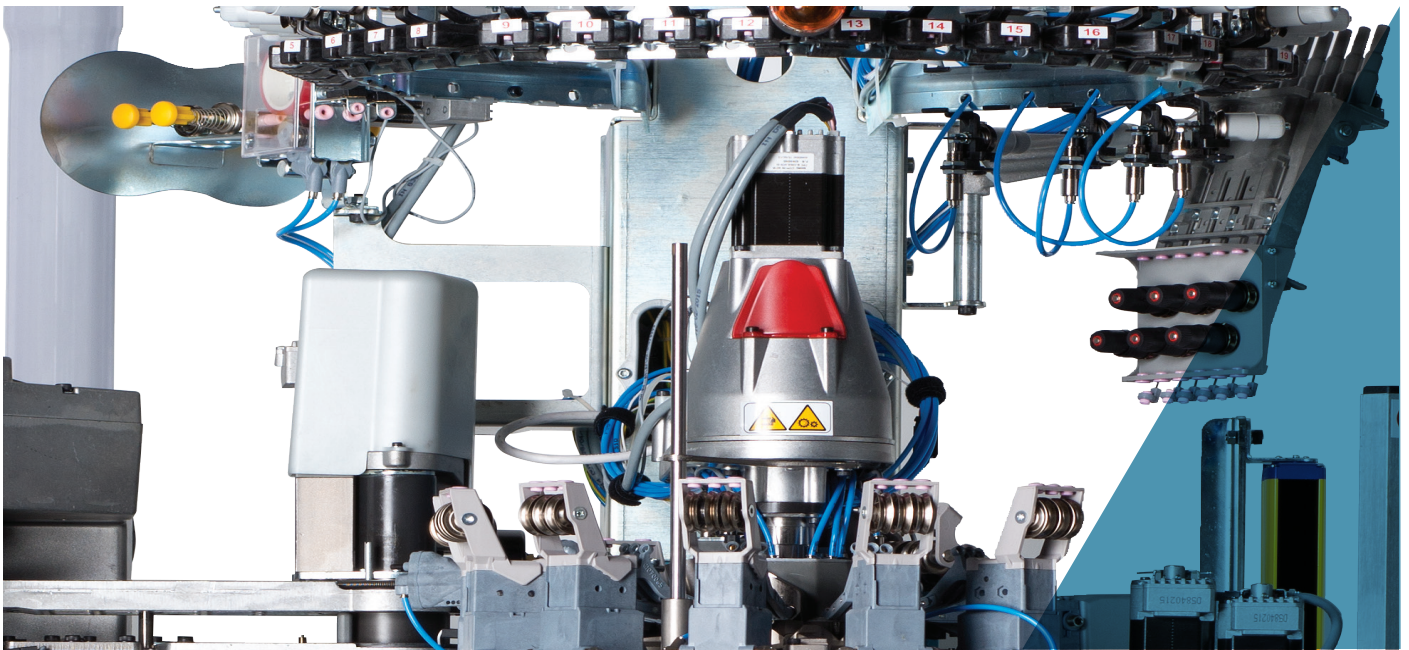
SBYS DEVICE
for automatic linking

KNITTING HEAD
designed to knit high quality
items and ensure constant
reliability over time

**NEW
ELECTRONICS**
with high
resolution touch
screen display

NEW BASE
designed to increase solidity
and rigidity, allows a more
ergonomic assembling of
components





All images in this brochure are indicative and not binding.

SINGLE CYLINDER

GK715H - GK716H - GK615H - GK616H - GK515H - GK516H

1 feed machines are the best sellers of the Goal Line as, thanks to their versatility, they can produce several different items, from the very simple to the most complex, without compromising on quality and efficiency. Available in two versions, with five or six colors on course and in different diameters and numbers of needles. Automatic linking with SBYS device, performing a "real linking" technique. Advantages are remarkable: superior quality sock finishing, more comfort and resistance compared to socks made using conventional systems. Latest generation electronics provides control and execution of all machine commands. Drawings and articles are created and managed by Digraph 3 Plus software package, which contains a full collection of styles the operator can combine in different ways to obtain the desired results.

- 5 or 6 colors pattern on course according to the model, plain knit
- Reciprocated heel and toe in different sizes and 3D effects
- 25 or 28 yarnfingers, according to the model
- Rising dial and finger plate with stepping motor
- Electronic actuators for needle selection, 8 or 9 according to the model
- Brushless coaxial main motor

MACHINE DIMENSIONS



Lenght max 127.3 cm
Depth max 114.8 cm
Height max 228 cm

MACHINE WEIGHT



ca. 320 Kg

CERTIFICATION



Green
Label

SINGLE CYLINDER

GK715H - GK716H - GK615H - GK616H - GK515H - GK516H

TECHNICAL DATA

MODEL	CYLINDER DIAMETER	GAUGE	NEEDLE THICKNESS
GK715H	3"1/2	7 1/2 to 20	0.85 - 0.70 - 0.60 mm
GK716H	3"1/2	7 1/2 to 20	0.85 - 0.70 - 0.60 mm
GK615H	3"3/4	9 to 20	0.85 - 0.70 - 0.60 mm
GK616H	3"3/4	9 to 20	0.85 - 0.70 - 0.60 mm
GK515H	4"	8 1/2 to 16	0.85 - 0.70 - 0.60 mm
GK516H	4"	8 1/2 to 19	0.85 - 0.70 - 0.60 mm

Above data are indicative and not binding.

STANDARD DEVICES

- Stepper motor electric dial with adjustable height
- Stitch cam feed: 1 with 2 different heights.
- High speed sinkers cap
- High resolution touch screen display
- Yarn sliding sensors guard cleaning device
- Heel yarn recover device with four positions
- 2 stepper motor controlled adjustable suction valves
- 9 yarnfingers on stitch feed
- Yarn creel
- USB port
- 15 or 18 color yarnfingers, according to model
- Circular yarn cutter with mechanical stop
- 1 yarnfinger on laid-in elastic feed

MAIN OPTIONAL DEVICES

- LGL Eco Power or Eco Compact yarn storage feeder
- Dinema YoYo positive yarn feeders
- Elastic yarn positive feeders, for compression socks
- Dinema Plus elastane positive feeders
- Stitch cams on first feed with 3 different heights
- Motorized stitch cams
- Motorized sinkers cap for sinkers pressure
- Motorized sinkers cap for sinkers pressure and angular position
- Antitwist device
- Footlet device
- Inside-out sock ejection device
- Elastane extra pliers device
- Yarn recover device, 6 positions
- Yarn trimming circular cutter with adjustable speed
- Linking device inspection lamp
- Preparation for storage feeder "Unifeeder 2" by BTSR
- Ethernet board for connection to Dinema Nautilus data collector system
- Second elastic yarn finger
- Yarn sliding control sensors, Dinema ISPY
- Pneumatic yarn tensioner for covered elastane
- Suction fan

POSSIBLE KNITTING

The standard machine can perform the following knittings

- 5 or 6 colors pattern, according to model, plus ground, mesh, tuck and float stitch
- With laid-in elastic: 5 or 6 colors pattern, according to model, plus ground, tuck and float stitch
- With laid-in elastic: 4 or 5 colors pattern, according to model, plus ground, mesh, tuck and float stitch

SINGLE CYLINDER

GK715H - GK716H - GK615H - GK616H - GK515H - GK516H



NUMBER OF COLORS

Number of colors	GK715H - GK615H - GK515H 5 colors on course plus ground GK716H - GK616H - GK616H 6 colors on course plus ground
------------------	--

PERFORMANCES

		3" 1/2, 3" 3/4, 4" CYLINDERS
KNITTING FEATURES		Patterns or selections 300 rpm
		Plain knit without pattern 350 rpm
MAXIMUM SPEED		350 rpm

Above data are indicative and not binding.

DISCLAIMER: maximum speed may vary depending on yarn, knitting, lubrication etc

GAUGE

		GAUGE																																
Model	ø	6½	7	7½	8	8½	9	9½	10	10½	11	11½	12	12½	13	13½	14	14½	15	15½	16	16½	17	17½	18	18½	19	20						
GK515H	4"					108				116				128					156										216				240	
		Needle thickness 0.85 mm										Needle thickness 0.70 mm										Needle thickness 0.60 mm												
								108	112	116	120	128	136	144		156	160	168		176	180	188	192	200					216	220		240		
GK615H	3"3/4	Needle thickness 0.85 mm																																
		Needle thickness 0.70 mm										Needle thickness 0.70 mm										Needle thickness 0.60 mm												
								108	112	116	120	128	136	144		156	160	168		176	180	188	192	200					216	220		240		
GK715H	3"1/2			84	88	96	100		108	112	116	120	128	132		144		156		168				180		192	200					220		
		Needle thickness 0.85 mm										Needle thickness 0.70 mm										Needle thickness 0.60 mm												

		GAUGE																																
Model	ø	6½	7	7½	8	8½	9	9½	10	10½	11	11½	12	12½	13	13½	14	14½	15	15½	16	16½	17	17½	18	18½	19	20						
GK516H	4"					108				116				128					156										216				240	
		Needle thickness 0.85 mm										Needle thickness 0.70 mm										Needle thickness 0.60 mm												
						96		108	112	116	120	128	136	144		156	160	168		176	180	188	192	200					216	220		240		
GK616H	3"3/4	Needle thickness 0.85 mm																																
		Needle thickness 0.70 mm										Needle thickness 0.70 mm										Needle thickness 0.60 mm												
								108	112	116	120	128	136	144		156	160	168		176	180	188	192	200					216	220		240		
GK716H	3"1/2			84	88	96	100		108	112	116	120	128	132		144		156		168				180		192	200					220		
		Needle thickness 0.85 mm										Needle thickness 0.70 mm										Needle thickness 0.60 mm												

Above data are indicative and not binding.

DISCLAIMER:

All features in the brochure are for information only and subject to change without any prior notice.

For a complete list of available options, please contact Lonati sales network.

The Company accepts no liability for improper use of machinery.

Lonati is recommending needles from
GROZ-BECKERT®

SINGLE CYLINDER

GK715H - GK716H - GK615H - GK616H - GK515H - GK516H

NOISE LEVEL (Maximum noise output for GK series models)

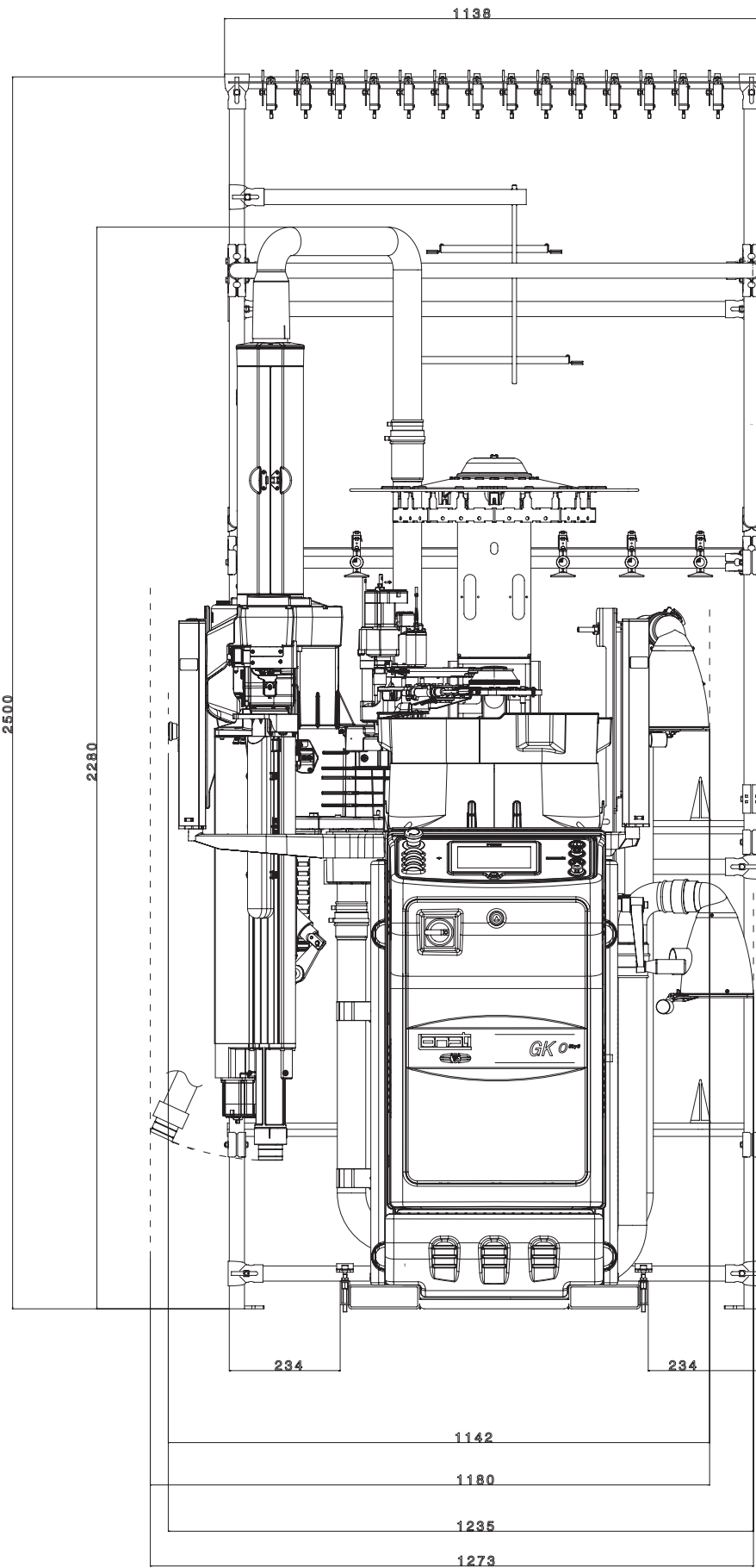
Noise pressure level on reference surface = LPA 79,5 dB - Noise power level = LWA 96,6 dB - Peak= 109,3 dB

LUBRICANTS

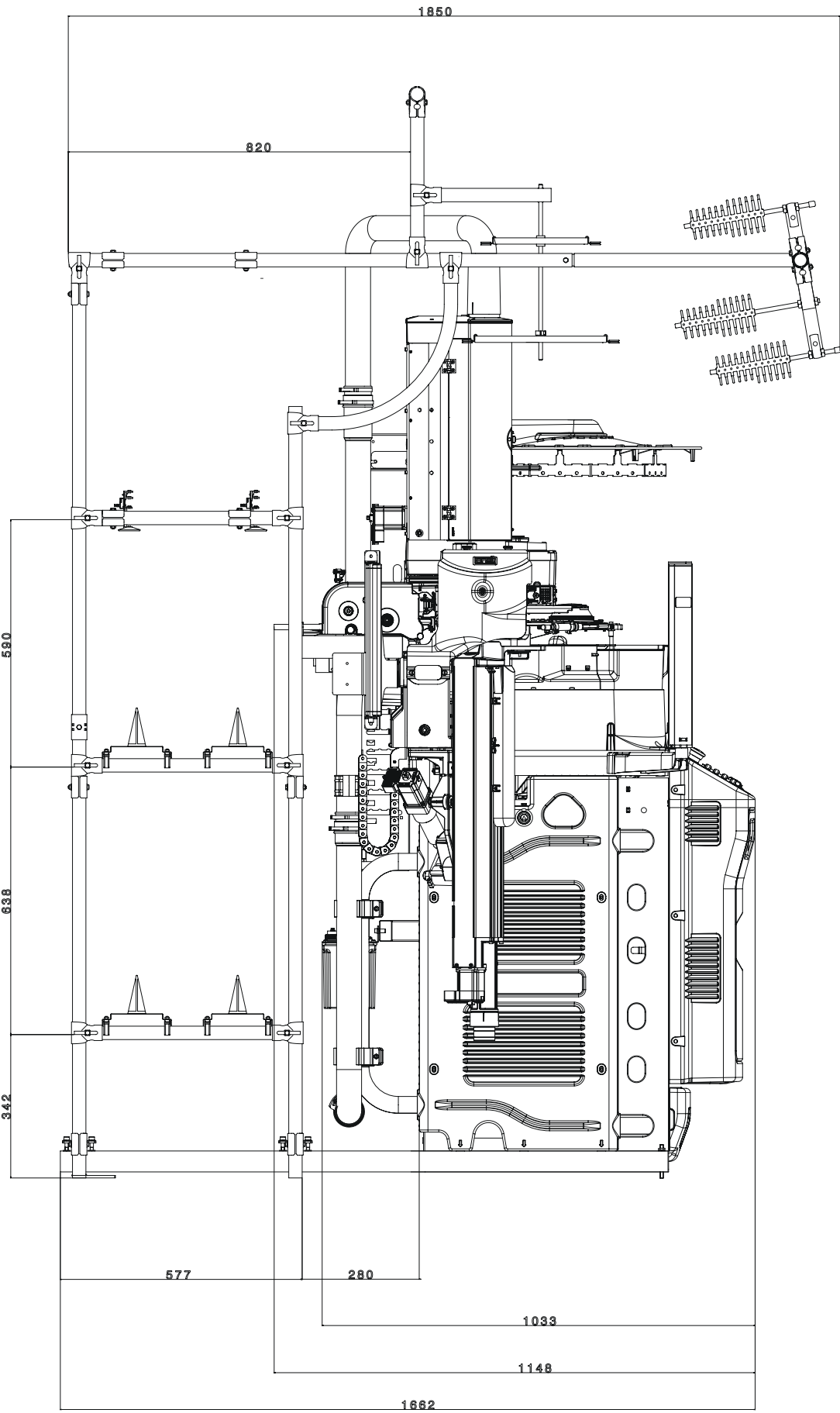
Average consumption for 100 dozens= 270 gr. Lonati recommends: Kluber Madol 183 Supreme - Fuchs Trax 16C

GREASE

For seals, bearings etc: Lonati recommends: TechnolubeSeals Damping grease Nyogel 774F-1



DESCRIPTION	CODE	NR. OF REELS	WEIGHT KG.	NOTES
Yarn creel	G3930061	28	51	Standard version
Yarn creel	G3930062	28	51	Version with BTR sensors



DESCRIPTION	CODE	NR. OF REELS	WEIGHT KG.	NOTES
Yarn creel	G3930061	28	51	Standard version
Yarn creel	G3930062	28	51	Version with BTR sensors

NOTE

GK715H - GK716H - GK615H - GK616H - GK515H - GK516H





LONATI SPA

Via Francesco Lonati, 3 | 25124 Brescia (Italy)

Tel. +39 03023901 | Fax +39 030 2310024

C.F.: 01469680175 | P.iva: 02096730961

info@lonati.com - www.lonati.com